

Skill Level: INTERMEDIATE Give these projects a try if you're a confident DIYer with a good working knowledge of a variety of tools. They can take a day or more to complete. If you can build a birdhouse or install a ceiling fan, your skill level is probably appropriate.

✓ MATERIALS

- New Sink
- Plumber's Putty
- Putty Knife
- Plumber's Tape
- Adjustable Wrenches
- Tongue and Groove Pliers or Pipe Wrench
- Screwdrivers (Slotted/Standard and Cross-head/Phillips)
- Socket Wrench with Deep-Well Sockets or Open-End Wrenches
- Silicone Sealant
- Utility Knife
- Small Bucket
- Shop Towels
- Work Light—if needed
- Extension Cord—if needed
- Work Gloves
- Safety Glasses
- Strainer(s)
- Drainpipes and Fittings
- Hacksaw
- Tape Measure

Your kitchen sink is a busy place. Everything from food prep to cleanup happens here. So eventually it'll need to be replaced. Or you may be redecorating your kitchen and decide that it's time to upgrade the sink. You can do it!

PREPARATION

01 Select the appropriate type of replacement sink. Single- and double-bowl drop-in sinks can be installed into most countertop surfaces. Undermount sinks install beneath the counter and should only be used with solid-surface and natural or engineered stone countertops.

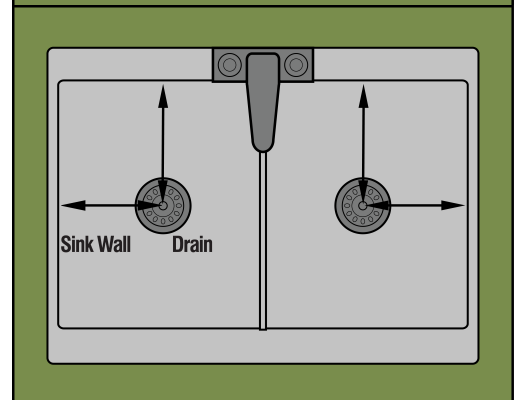
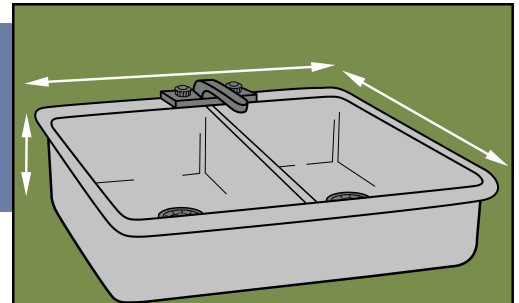
02 Measure your existing sink.

- Most are 33" X 22" X 8" deep. If your new sink has different dimensions and drain location(s) than the unit it will replace, you may need to modify the cabinet opening and/or plumbing.

- **TIP:** For best results, make a drawing of your old sink with all measurements including distances from the sink wall to the drain center.

- **TIP:** Or you can remove your old sink, take it to Lowe's, and ask a Lowe's associate to help you select a replacement unit.

- **WARNING:** Wear safety glasses when working under the sink or cutting pipe and other materials.



03 Decide if you will also replace the faucet and/or install additional components such as a sprayer, soap dispenser, on-demand hot water tap, or filtered water tap.

- Standard sinks have 1, 2, 3 or 4 holes on the rear lip for a faucet and additional components.

- Installation of a new faucet and other components is easier if it is done when you are installing a new sink, since you can easily access the hardware with the sink out of the countertop. For more information, view the video and instruction sheet on *How to Replace a Kitchen Faucet* at [Lowes.com/Videos](https://www.lowes.com/Videos).

IMPORTANT

Before you begin this project, read the manufacturer's instructions. And follow all local building codes. If you're not comfortable installing a kitchen sink or related components (faucets and garbage disposers), Lowe's can install your sink for you.

REMOVING THE OLD SINK

01 Turn off both the hot and cold water supply lines. The shutoff valves typically are in the cabinet below the sink or in the basement.

- If you cannot find them, turn off the main water line to the house.

02 Turn on the faucet to relieve water pressure in the lines.

03 Use adjustable wrenches to disconnect the water supply lines to the faucet.

- **TIP:** Have a small bucket ready to catch any water left in the supply lines and drainpipes as they are removed.
- **TIP:** Leave the faucet attached to the sink. You can remove both the sink and the faucet as one unit.



04 If you have a garbage disposer, turn off the circuit, then unplug it.

05 Use pliers to disconnect the drainpipe and P-trap from the sink drain.

06 Remove the dishwasher drain line.

07 Remove the disposer following the manufacturer's instructions.

- If you don't have your disposer instructions, check the manufacturer's website.
- Once again, have a bucket ready to catch any water.
- Most disposers loosen at the mounting bracket connection to the sink drain and twist off.



08 Remove the metal clips that attach the sink to the countertop from below. Typically, they are located under the counter around the sink perimeter and can be removed with a screwdriver, open-end wrench or socket wrench.



09 If your old sink has a sealant or caulk around the rim, carefully use a utility or putty knife to loosen the sink from any sealant around the perimeter, being careful not to damage the countertop.

10 From below the sink, gently push the unit up to loosen it.

- You may need a friend to help lift it out.

11 Remove the sink (with faucet and accessories) from the countertop.

12 Clean any grime, caulk, and old plumber's putty from the countertop and any components you will re-install.

INSTALLING THE NEW SINK

- 01 **Set the new sink in the countertop hole to verify that it fits.**
 - If necessary, modify the countertop opening using a jig saw, router, and/or tile cutter.
- 02 **Remove the sink from the countertop hole to attach the hardware.**
- 03 **Turn the sink upside down on a flat surface, and attach the clips to the underside of the sink.**
- 04 **Turn the sink back over to apply a small bead of plumber's putty to the top side of the sink's drain opening.**
- 05 **Install the new strainer firmly against the putty.**
- 06 **Tilt the sink onto its side and tightly secure the rubber gaskets and threaded flange to the underside of the sink drain.**
 - Repeat this step for additional drains that do not have disposers.
- 07 **Remove any excess putty.**
- 08 **If you have a garbage disposer, install the mounting bracket following the manufacturer's instructions.**
 - If you need a new garbage disposer, Lowe's carries a wide range to fit your sink.
- 09 **Install the faucet and additional components as described in *How to Replace a Kitchen Faucet* at [Lowe's.com/Videos](https://www.lowes.com/Videos).**
- 10 **Apply a bead of silicone sealant to the underside of the sink rim, following the manufacturer's instructions.**
 - **TIP:** Alternatively, you can apply the sealant around the edge of the countertop opening.
- 11 **Carefully lower the sink into the countertop opening and squarely align it.**
This task is an easier job with two people.
- 12 **From below the sink, rotate the attachment clips and tighten the nuts or screws.**
- 13 **Once done, wipe any excess sealant from the counter and let dry before using.**



INSTALLING A NEW SINK (cont.)

14 Some fittings require plumber's tape around the threaded part of the hot and cold water supply lines. Just wrap it around the threads in a counterclockwise direction.

- A compression fitting does not require plumber's tape. These fittings have a ring inside that conforms to the pipe when the nut is tightened.
- If you're not sure what type of fitting you have, ask a Lowe's associate for help.

15 Attach the supply lines to the water connections of the faucet and the supply pipes.

16 Tighten the connections with wrenches.

- Be careful not to strip the threads.

17 If you have a garbage disposer, install the unit following the manufacturer's instructions.

- Insert the discharge pipe and tighten the clamp.



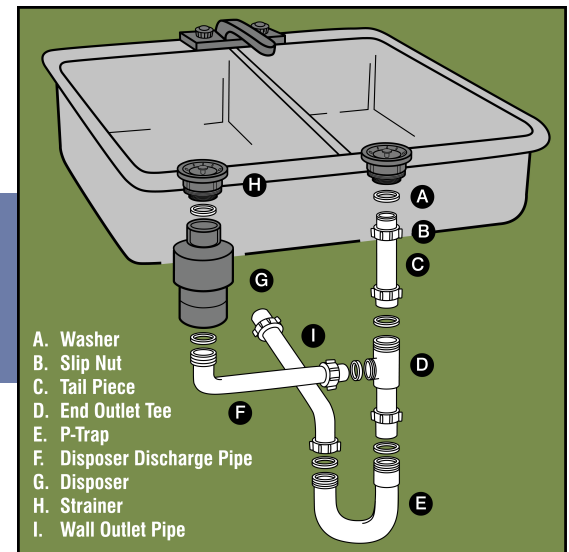
18 If you have a dishwasher, reinstall the dishwasher drain.

19 Connect the disposer discharge pipe to the drainpipe leading from the other drain.

20 Replace the drainpipe and P-trap.

21 If your old drainpipes don't line up to your new sink, you can make some simple adjustments. Lowe's carries kitchen sink kits that include all the PVC drainpipes and fittings you'll need to hook up your plumbing. And remember, you can always ask a Lowe's associate for help if you have any questions.

- **TIP:** Sketch your pipe configuration to show a Lowe's associate your specific situation.
- If a pipe is too long (such as the tailpiece from the drain):
 1. Measure the length needed.
 2. Add a little extra to the length to ensure a tight connection.
 3. Wearing safety glasses, cut the pipe with a hacksaw.
 4. Place a washer on the pipe, then slide a slip nut onto the pipe over the washer.
 5. If you need a slip nut for the other end of the pipe, slide the slip nut onto the pipe facing the appropriate direction. Then add a washer.
 6. Hold the pipe in place and screw the slip nut(s) to the appropriate fittings.



INSTALLING A NEW SINK (cont.)

- If a pipe is too short:
 1. Determine the length needed.
 2. Add a little extra to the length to ensure a tight connection.
 3. Purchase a longer pipe. Be sure the new pipe is the correct diameter.
 4. If the pipe is longer than needed, cut it with a hacksaw. Wear safety glasses when cutting.
 5. Place a washer on the pipe, then slide the slip nut onto the pipe over the washer.
 6. If you need a slip nut for the other end of the pipe, slide the slip nut onto the pipe facing the appropriate direction. Then add a washer.
 7. Hold the pipe in place and screw the slip nut(s) to the appropriate fittings.
- If you need to make a bend (such as to a wall outlet):
 1. First, try rotating the P-trap, outlet tee or any other pipes to line up appropriately.
 2. If that's not possible, use a bendable extension pipe to make the connection. Just bend the pipe to the desired position, and use rubber washers and slip nuts to attach it to the other plumbing.

22 If recommended by the manufacturer, apply a small bead of sealant to the perimeter of the sink.

23 Turn the water back on and check for leaks.

Now your kitchen sink is ready to use. Be sure to check out the other installation projects and instruction sheets at [Lowe's.com/Videos](https://www.lowes.com/Videos).

These "How-To's" are provided for informational purposes only. The information contained in Lowe's "How-To" videos is intended to provide general guidance to simplify jobs around the house. Because tools, products, materials, techniques, building codes and local regulations are continually changing, Lowe's assumes no responsibility for the accuracy of the information contained herein and disclaims any liability for omissions, errors or the outcome of any project. It is the responsibility of the viewer to ensure compliance with all applicable laws, rules, codes and regulations for a project. The viewer must always take proper safety precautions and exercise caution when taking on any project. If there is any question or doubt in regards to any element of a project, please consult with a licensed professional.