

Skill Level: BEGINNER These how-to's are suitable for people who are new to DIY and who have a basic knowledge of tools. If you've painted a room or re-potted a plant, you can probably complete one of these projects by yourself in a few hours or less.

✓ MATERIALS

- Spud Bar
- Post Hole Digger or Shovel
- Wheelbarrow
- Tape Measure
- Post Level
- Marking Paint
- Gravel
- Quick-Setting Concrete Mix (1 bag)
- Bucket—for water
- Mailbox Post
- Mailbox
- Mailbox Numbers
- Woods and Clamps—for bracing
- Screwdriver—if required
- Wrenches—if required
- Socket Wrench and Sockets—if required
- Work Gloves
- Safety Glasses

Cards, letters, bills—your mailbox gets a lot of use. So whether you're moving into a brand new home or your current mailbox is in need of an update, the following instructions will show you how to install a new curbside mailbox for years of service.

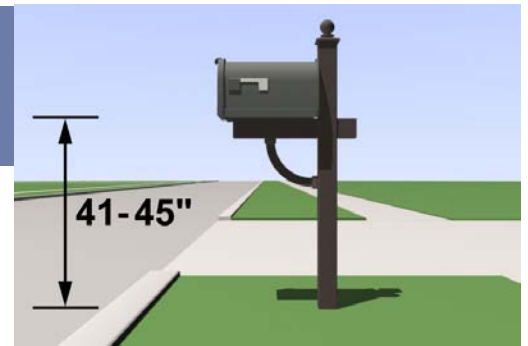
GETTING STARTED

You cannot place a post-mounted mailbox just anywhere and expect the post office to deliver your mail. You must make sure that it meets postal requirements and that digging will not damage utility services.

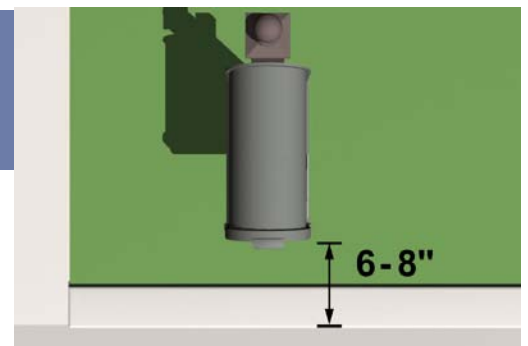
01 Before digging call 811 to be connected with your local utility companies. They will mark any underground service lines to avoid.

02 Identify the exact location of your mailbox. The U.S. Postal Service requires mailboxes to meet the following criteria.*

- They should be installed at a height of 41-45" from the road surface to the bottom of the mailbox door.



- The box should be set back 6-8" from the front face of the curb or road edge to the mailbox door.



- **TIP:** Local mail delivery conditions may amend postal regulations. If you are installing a new mailbox at a new location, contact your local postmaster for guidance.

03 Mark the location on the ground for easy reference.

IMPORTANT

Before you install a post-mounted mailbox, call 811 to be connected with your local utility companies. They'll make sure that the site you have selected does not have underground utility lines that can be damaged by digging. Also, read the manufacturer's instructions. If you have additional questions, discuss the job with a Lowe's associate or call a professional for help.

*usps.gov, Domestic Mail Manual 508.3.2

SETTING THE POSTS

Now you are ready to install the mailbox post.

01 Use a spud bar and a post hole digger or shovel to dig the post hole, following the post manufacturer's directions for dimensions.

- Typically, the hole should be at least three times the post diameter and about one-third of the post length. For a standard 2-½" round or square post, the hole should be about 7-½" wide. Posts that are 60" tall should be placed 15-19" into the ground. Make sure that placement height conforms to postal regulations (see Step 02 of Getting Started).

02 Pour about 6" of gravel into the bottom of the hole for water drainage.

03 Place the post in the hole and check the height to the base. Again, for most installations, it should be 41-45" from curb or road surface to the bottom of the mailbox door.

- Use a post level to make sure that the post is plumb.
- Temporarily hold the post in place with braces and clamps.

04 Pour dry concrete mix into the hole until it is about 3-4" below ground level.

05 Double-check to make sure that the post is still level and plumb before continuing.

06 Add water to the concrete mix following the manufacturer's instructions on the bag. Typically, about 1 gallon is added per 50-pound bag of mix.

- TIP:** Alternatively, you can blend the concrete mix and water in a wheelbarrow or large bucket before pouring it in the post hole. Follow instructions on the concrete mix bag.

07 Allow the concrete to set for about 20-40 minutes before continuing.

08 Fill the hole with dirt to ground level and tamp it.



INSTALLING THE MAILBOX

The final task is to install the mailbox and add numbers so your mail handler will know your delivery address.

01 Follow the mailbox manufacturer's instructions for installing the box on the post.

- In most installations, the box is secured to the post from the underside with bolts and nuts.



INSTALLING THE MAILBOX (cont.)

02 Add address numbers.

- U.S. Postal regulations require that address numbers be at least 1" high. Place them on the side of the box from which the postal carrier arrives.
- If adjacent to other mailboxes, place the numbers on the door.
- You can neatly paint the numbers on or attach metal or adhesive numbers.
- Optionally, you can also include the street name, occupant's name(s), or other identification.
- You can also decorate your mailbox with designs—as long as the mailbox conforms to postal regulations.
- **TIP:** For ideas and tips on decorating your mailbox, visit [Lowe'sCreativeIdeas.com](https://www.lowes.com/creativelideas).

Now you know how to add some curb appeal with a new curbside mailbox. Be sure to check out other essential home improvement how-to videos and printable instructions at [Lowe's.com/Videos](https://www.lowes.com/Videos).



These "How-To's" are provided for informational purposes only. The information contained in Lowe's "How-To" videos is intended to provide general guidance to simplify jobs around the house. Because tools, products, materials, techniques, building codes and local regulations are continually changing, Lowe's assumes no responsibility for the accuracy of the information contained herein and disclaims any liability for omissions, errors or the outcome of any project. It is the responsibility of the viewer to ensure compliance with all applicable laws, rules, codes and regulations for a project. The viewer must always take proper safety precautions and exercise caution when taking on any project. If there is any question or doubt in regards to any element of a project, please consult with a licensed professional.