

JENN-AIR® Updraft Gas Slide-in Range

PRODUCT MODEL NUMBERS

JGS8850BD

Gas supply: Natural gas supply line must have a natural gas service regulator. Inlet pressure to this appliance should be reduced to a maximum of 14" water column (0.5 pounds per square inch (p.s.i.)) liquefied petroleum propane gas supply line must have a L.P. gas pressure regulator. Inlet pressure to this appliance should be reduced to a maximum of 14" water column (0.5 p.s.i.). Inlet pressures in excess of 0.5 p.s.i. can damage the appliance pressure regulator and other gas components in this appliance and can result in a gas leak.

Gas supply pressure for testing regulator must be at least 1" water column pressure above manifold pressure shown on serial plate.

NOTE: It is recommended to use a CSA certified flexible connector no longer than 36" (91.4 cm) with a minimum BTU/HR rating of 60,000. Rigid pipe may also be used.

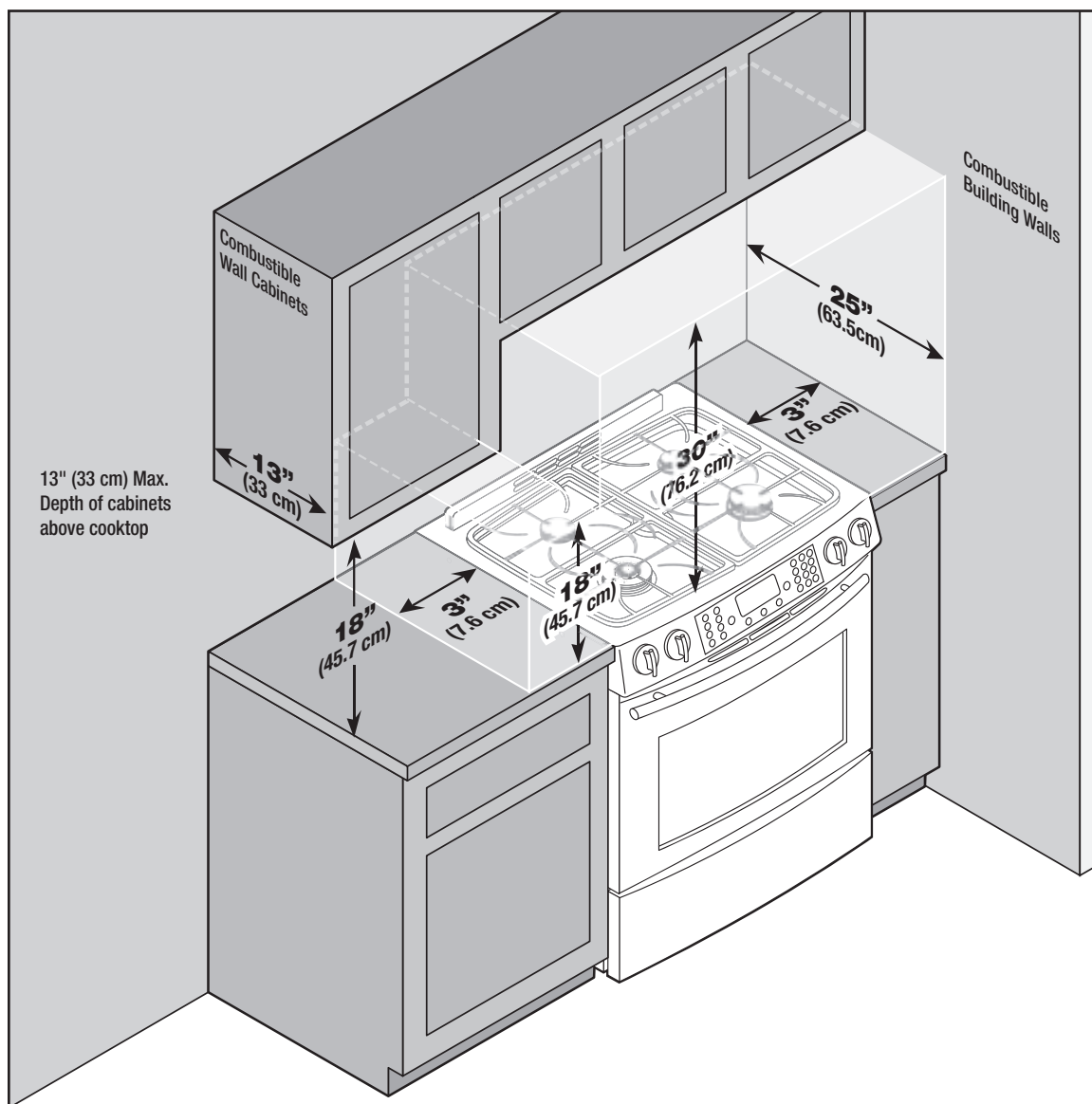
A gas shut-off valve should be put in an accessible location in the supply line ahead of the range, for turning on and turning off gas supply. Connector nuts must not be connected directly to pipe threads. The connectors must be installed with adaptors provided with the connector.

The house piping and/or range connector used to connect the range to the main gas supply must be clean, free of metal shavings, rust, dirt and liquids (oil or water). Dirt, etc. in the supply lines

can work its way into the range manifold and in turn cause failure of the gas valves or controls and clog burners and/or pilot orifices.

Electrical: The range requires 120 volts, 60-cycle alternating current from a dedicated grounded outlet with a 15-amp circuit breaker. See serial plate for rating, located on front frame behind storage drawer. User may experience occasional circuit tripping if Ground Fault Circuit Interrupter (GFCI) outlet or breaker is in use.

CLEARANCE DIMENSIONS



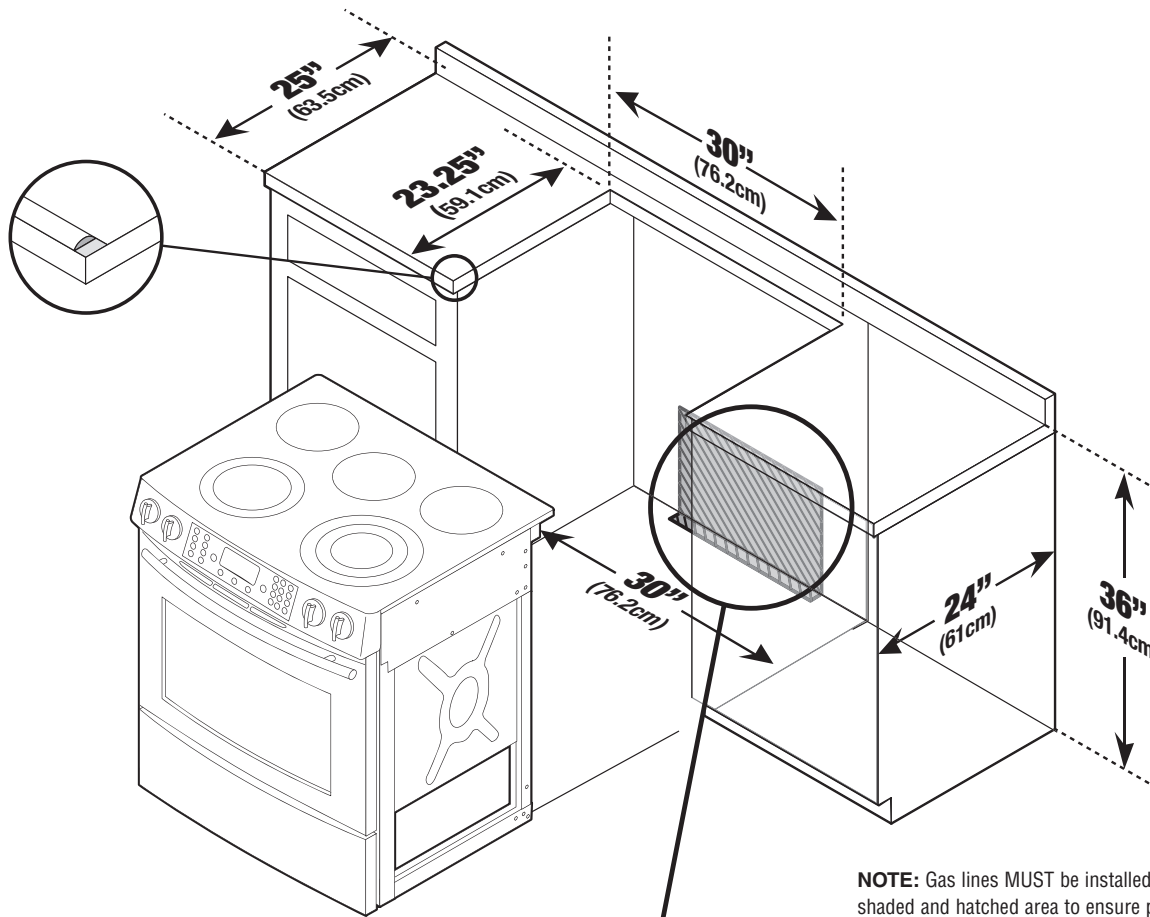
Range may be installed with 0" (0 cm) clearance adjacent to (against) combustible construction at the rear and on the sides below the cooktop. For SAFETY CONSIDERATIONS, do not install a range in any combustible cabinetry which is not in accord with the installation drawings.

To eliminate the risk of burns or fire by reaching over heated surface units, cabinet storage space located above the surface units should be avoided. If cabinet storage is to be provided, the risk can be reduced by installing a range hood that projects horizontally a minimum of 5" (13 cm) beyond the bottom of the cabinets

NOTE: 30" (76.2 cm) dimension between cooking top and wall cabinet shown on illustration does not apply to ranges with an elevated oven or microwave. The installation instructions of the elevated oven will specify the minimum acceptable dimension between the cooktop and elevated oven. The 30" (76.2 cm) dimension may be reduced to not less than 24" (61 cm) when the wall cabinets in a domestic home are protected with fireproof materials in accordance with American National Standards - National Fuel Gas Code or in mobile homes when they are protected with fireproof materials in accordance with the Federal Standard for Mobile Home Construction and Safety.

JENN-AIR® Updraft Gas Slide-in Range

CABINET OPENING DIMENSIONS



NOTE: Gas lines **MUST** be installed within the dark shaded and hatched area to ensure proper alignment of this oven with your cabinets. It is recommended to have gas and electric supplies 6" (15.2 cm) apart.

NOTE: Drill on centerline 1-1/4" (3.2 cm) from rear wall for gas supply line.

NOTE: As an option to make gas valve accessible, it can be located in the adjacent cabinet.

CAUTION: Some white European style cabinets are equipped with delicate white vinyl drawer and door fronts. The vinyl may not be designed to withstand the heat produced by the normal safe operation of a self-clean range. Discoloration or delamination may occur. To avoid possible damage, we recommend increasing the 30" (76.2 cm) cabinet opening to 31-1/4" (79.3 cm) minimum and using heat shield (CABKIT V). The countertop cut-out must remain 30" (76.2 cm).

When replacing an existing unit, a maximum of 23-1/2" (59.7 cm) is acceptable. If the cut depth exceeds 23-1/2" (59.7 cm), use filler kit K71FILL.

120/240 V or 120/208 V grounded electrical outlet in the hatched area. Outlet **MUST** be flush. Nothing located in hatched area can extend more than 2" (5.1 cm) from wall or range will not slide all the way back.

