

JSP39SN

GE® 30" Slide-In Electric Range with Self-Cleaning Oven

Dimensions and Installation Information

KW Rating	
240V	11.9
208V	8.9

Optional Kits

(Available at additional cost)
 JXS32 - Backguard Accessory
 JXS56 - Lower Trim Kit

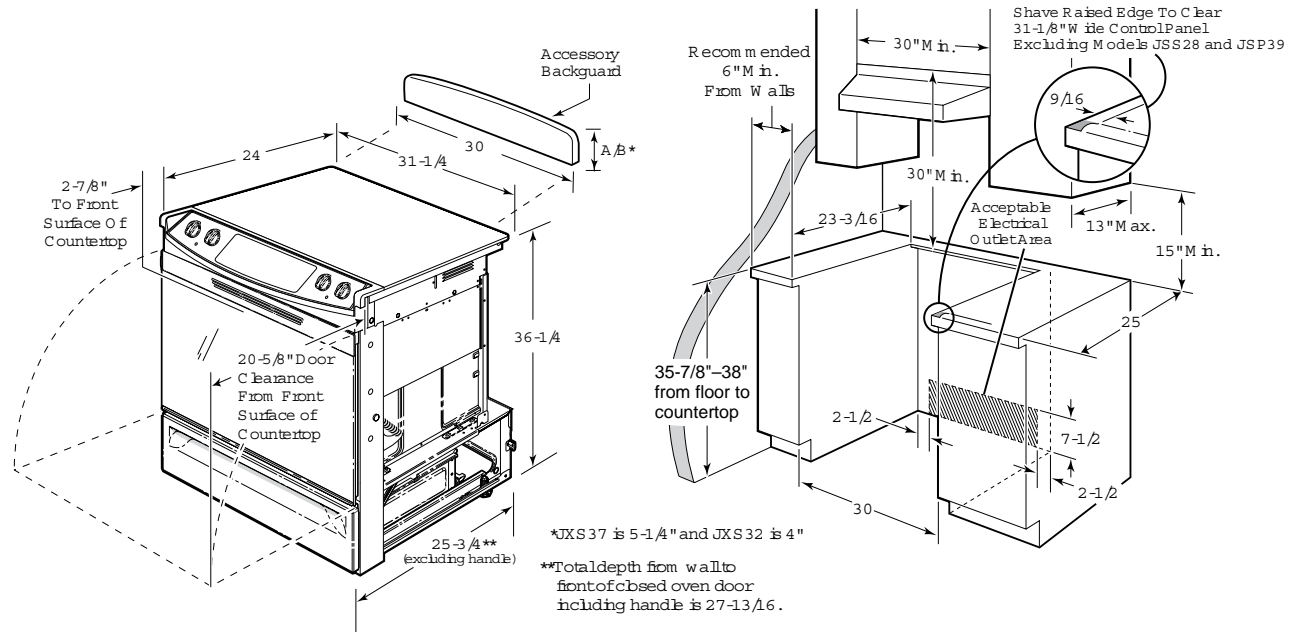
Note: To reduce possibility of scorching of the side wall adjacent to the heating elements, it is recommended a minimum of 6" spacing from adjacent side walls be allowed for possible extended, high-heat, no-load operation of heating elements.

Receptacle Location: For all 30" Slide-In Ranges locally approved flexible service cord or conduit must be used because terminals are not accessible after range installation. See shaded area in drawing for location of electrical outlet box. Recommended outlet locations allow range to be installed directly against rear wall.

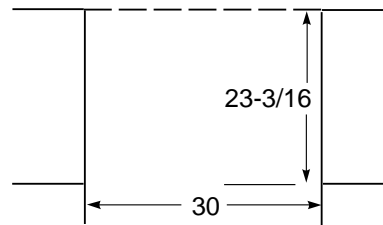
Note: Cabinets installed adjacent to slide-in ranges must have an adhesion spec of at least 194.

Installation Information: Before installing, consult installation instructions packed with product for current dimensional data.

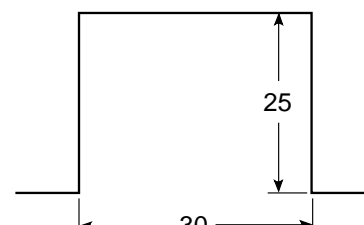
For answers to your Monogram®, GE Profile™ or GE® appliance questions, visit our website at ge.com or call GE AnswerCenter® service, 800 626 2000.



If you are NOT using the optional Filler or Backguard:



If you are using the optional Filler or Backguard:



Dimensions and installation information are shown in inches.



imagination at work



All GE ranges are equipped with an Anti-Tip device. The installation of this device is an important, required step in the installation of the range.



Listed by Underwriters Laboratories