

# JRP20WJ/BJ

## GE® 24" Built-In Single Oven

### Dimensions and Installation Information (in inches)

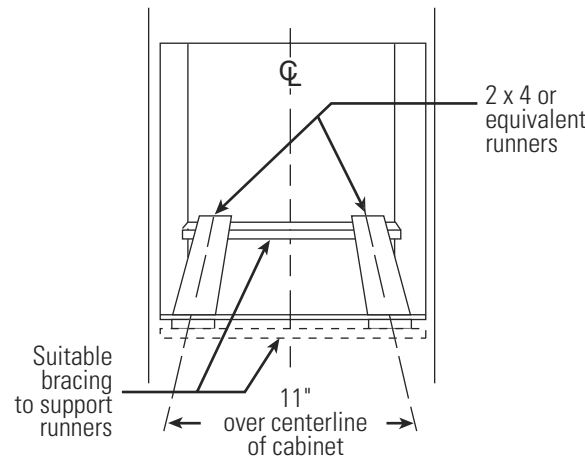
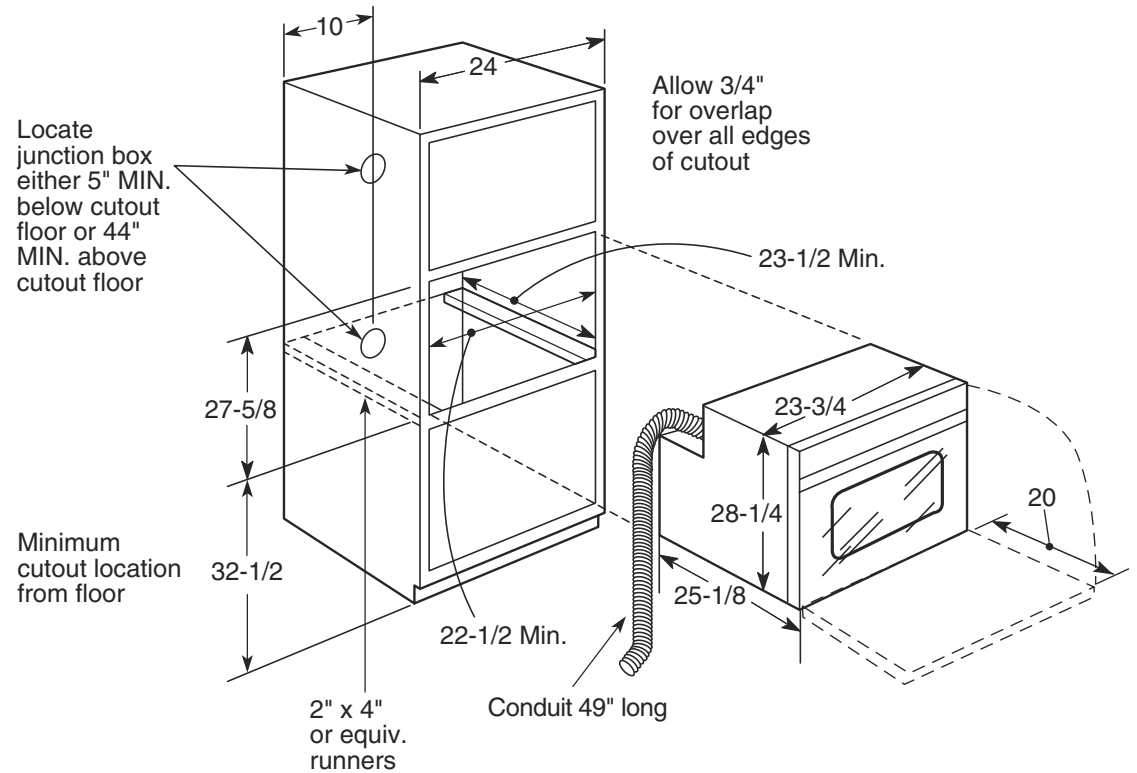
| KW Rating    |     |
|--------------|-----|
| 240V         | 3.4 |
| 208V         | 2.6 |
| Breaker Size |     |
| 20 Amps†     |     |

†Check local codes for required breaker size.

**Note:** Cabinets installed adjacent to wall ovens must have an adhesion spec of at least 194° temperature rating. This model is NOT approved for stackable or side-by-side installation.

**Installation information:** Before installing, consult installation instructions packed with product for current dimensional data.

For answers to your Monogram®, GE Profile™ or GE® appliance questions, visit our website at [ge.com](http://ge.com) or call GE Answer Center® service, 800.626.2000.



All GE ranges are equipped with an Anti-Tip device. The installation of this device is an important, required step in the installation of the range.



Listed by Underwriters Laboratories