

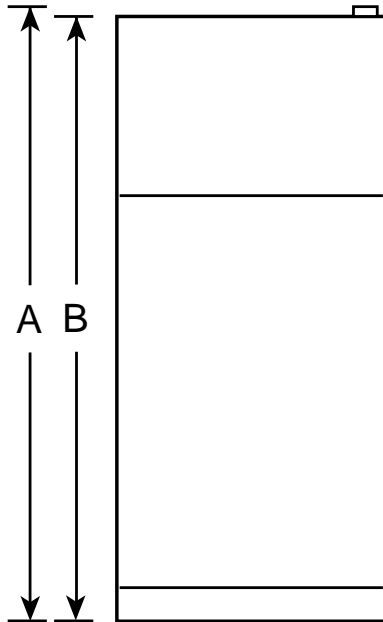


GE Appliances

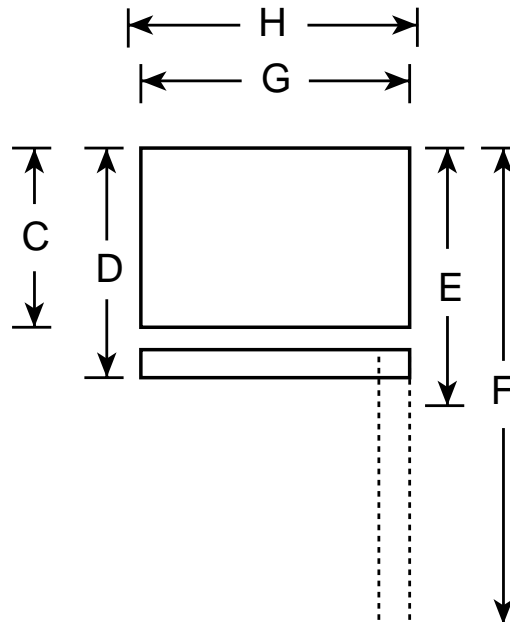
GTS22KBP – GE 21.7 Cu. Ft. Top-Freezer Refrigerator

Dimensions (in inches)

Front View



Top View



Overall Dimensions	Height to top of hinge (in.) A	67-1/2
	Height to top of case (in.) B	66-7/8
	Height to mid-freezer (in.)	54-1/2
	Case depth without door (in.) C	27-5/8
	Case depth less door handle (in.) D	31-5/8
	Case depth with door handle (in.) E	33-5/8
	Depth with fresh food door open 90° (in.) F	63
	Width (in.) G	32-7/8
	Width with door open 90° less door handle (in.) H	33
Air Clearances	Each side (in.)	1/8
	Top (in.)	1
	Back (in.)	1

Note: All Top-Freezer No-Frost Right-Hand Refrigerator Doors: As you face the front of the refrigerator, the handle is on your left and the hinges are on your right.
All Top-Freezer No-Frost Left-Hand Refrigerator Doors: As you face the front of the refrigerator, the handle is on your right and the hinges are on your left.



Total volume and shelf area are calculated by the Association of Home Appliance Manufacturers' standards.



Listed by Underwriters Laboratories



Specification Revised 6/03

For answers to your Monogram® GE Profile™ or GE® appliance questions, visit our website at GEAppliances.com or call GE Answer Center® service, 800.626.2000.