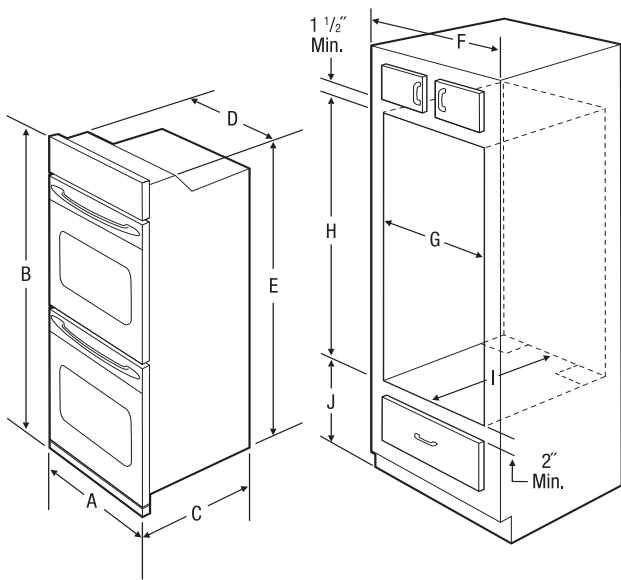


PLEB30T9FC  
057112092874

**Installation**



**Installation Notes:**  
**Existing Cabinet Cutout Installation –**  
 It is also possible to install Frigidaire® wall ovens into existing cabinet cutouts with openings greater than dimensions specified in chart below.

Wall Oven Model (to be installed)	Existing Cutout Height (if greater than)
30" Double	49 7/8"

For complete installation details on this procedure consult manual packed with product, or download manual at Customer Service, online at [www.frigidaire.com](http://www.frigidaire.com).

**Oven Base Support –**

- Double wall oven base must be capable of supporting 300 lbs.

**Oven Door Swing Clearances –**

- 30" Down-Swing Door – Allow 21"

MODEL SIZE	EXTERIOR DIMENSIONS			WRAPPER DIMENSIONS		CABINET F-SIZE	CUT-OUT DIMENSIONS				CLEARANCE J-TO FLOOR	
	A-WIDTH	B-HEIGHT	C-DEPTH	D-WIDTH	E-HEIGHT		G-WIDTH		H-HEIGHT			I-DEPTH
							MIN	MAX	MIN	MAX		
30" DOUBLE CELL OVEN	30"	50 7/16"	24 1/2"	28 1/4"	48 5/8"	30 1/8"	28 1/2"	29"	49 1/8"	49 7/8"	23 1/2"	11 1/2"

**Important:** Because of continuing product improvements, Electrolux Home Products, Inc. reserves the right to change specifications without notice. Dimension and cutout information is for planning purposes only. For complete installation details consult manual packed with product, or download manual at Customer Service, online at [www.frigidaire.com](http://www.frigidaire.com).