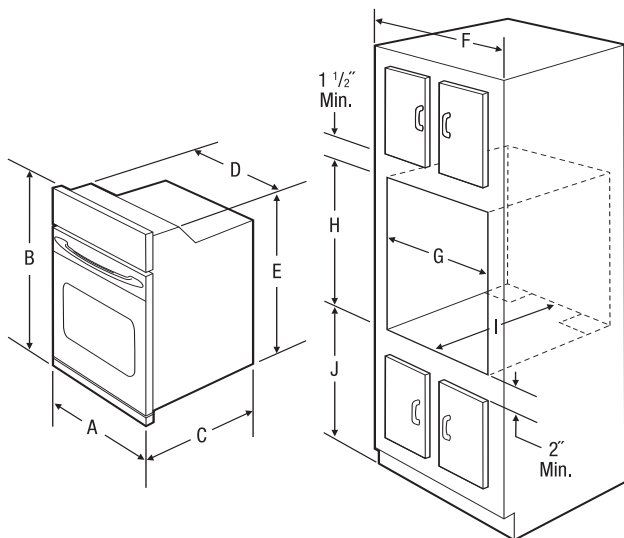


PLEB30S9FC
057112092799

Installation



Installation Notes:
Existing Cabinet Cutout Installation –
 It is also possible to install Frigidaire® wall ovens into existing cabinet cutouts with openings greater than dimensions specified in chart below.

Wall Oven Model (to be installed)	Existing Cutout Height (if greater than)
30" Single	28 5/8"

For complete installation details on this procedure consult manual packed with product, or download manual at Customer Service, online at www.frigidaire.com.

Oven Base Support –

- Single wall oven base must be capable of supporting 150 lbs.

Oven Door Swing Clearances –

- 30" Down-Swing Door – Allow 21"

MODEL SIZE	EXTERIOR DIMENSIONS			WRAPPER DIMENSIONS		CABINET F-SIZE	CUT-OUT DIMENSIONS					CLEARANCE J-TO FLOOR
	A-WIDTH	B-HEIGHT	C-DEPTH	D-WIDTH	E-HEIGHT		G-WIDTH		H-HEIGHT		I-DEPTH	
30" SINGLE CELL OVEN*	30"	29"	24 1/2"	28 1/4"	27 3/16"	30 1/8"	MIN 28 1/2"	MAX 29"	MIN 27 1/4"	MAX 28 5/8"	23 1/2"	4 1/2" - 31"*

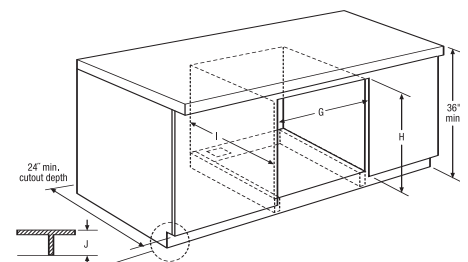
* This model can be installed under a counter. Refer to Under-Counter Installation specifications.

Under Counter Applications

UNDER-COUNTER MODEL	CUT-OUT DIMENSIONS				CLEARANCE J-TO FLOOR*	
	G-WIDTH		H-HEIGHT*			I-DEPTH
PLEB30S9F	MIN 28 1/2"	MAX 29"	MIN 27 1/4"	MAX 28 5/8"	23 1/2"	4 1/2"

* 4 1/2" max. (If no cooktop is installed directly above, 5" max.)

Note: Certain cooktop models may be installed over this built-in oven. See your dealer or call 1-800-Frigidaire for list of cooktop models approved for this application. For cooktop installation, see literature supplied with the cooktop unit.



Important: Because of continuing product improvements, Electrolux Major Appliances reserves the right to change specifications without notice. Dimension and cutout information is for planning purposes only. For complete installation details consult manual packed with product, or download manual at Customer Service, online at www.frigidaire.com.