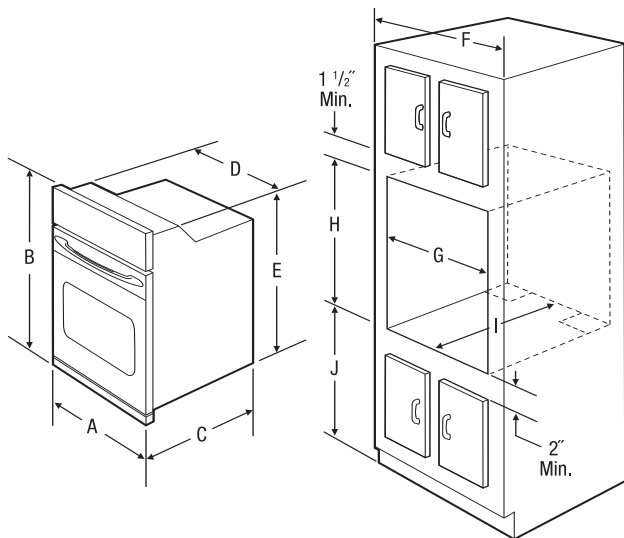


FGB24S5AB  
057112080765

**Installation**



**Installation Notes:**

**Existing Cabinet Cutout Installation –**

It is also possible to install Frigidaire® wall ovens into existing cabinet cutouts with openings greater than dimensions specified in chart below.

**Wall Oven Model  
(to be installed)**

24" Single

**Existing Cutout Height  
(if greater than)**

28 1/8"

For complete installation details on this procedure consult manual packed with product, or download manual at Customer Service, online at [www.frigidaire.com](http://www.frigidaire.com).

**Oven Base Support –**

- Double wall oven base must be capable of supporting 300 lbs.

**Oven Door Swing Clearances –**

- Single Oven Cavity Model – Allow 19 3/8"

MODEL SIZE	EXTERIOR DIMENSIONS			WRAPPER		CABINET F-SIZE	CUT-OUT DIMENSIONS				CLEARANCES		
	A-WIDTH	B-HEIGHT	C-DEPTH	D-WIDTH	E-HEIGHT		G-WIDTH		H-HEIGHT		I-DEPTH	J-HEIGHT	K-TO FLOOR
							MIN	MAX	MIN	MAX	MIN	MIN	
24" SINGLE	23 7/8"	38 7/16"	25 3/8"	21 1/16"	37 3/8"	24"	22"	22"	37 1/2"	39"	23 1/2"	1 1/2"	10" - 27 1/2"

**Important:** Because of continuing product improvements, Electrolux Major Appliances reserves the right to change specifications without notice. Dimension and cutout information is for planning purposes only. For complete installation details consult manual packed with product, or download manual at Customer Service, online at [www.frigidaire.com](http://www.frigidaire.com).