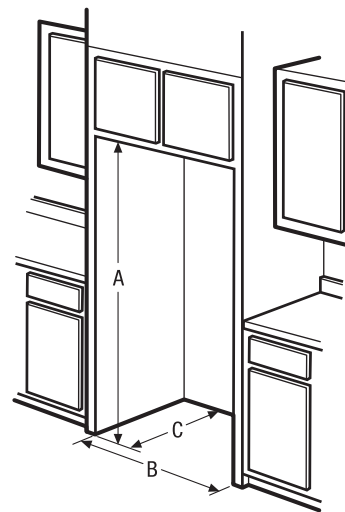
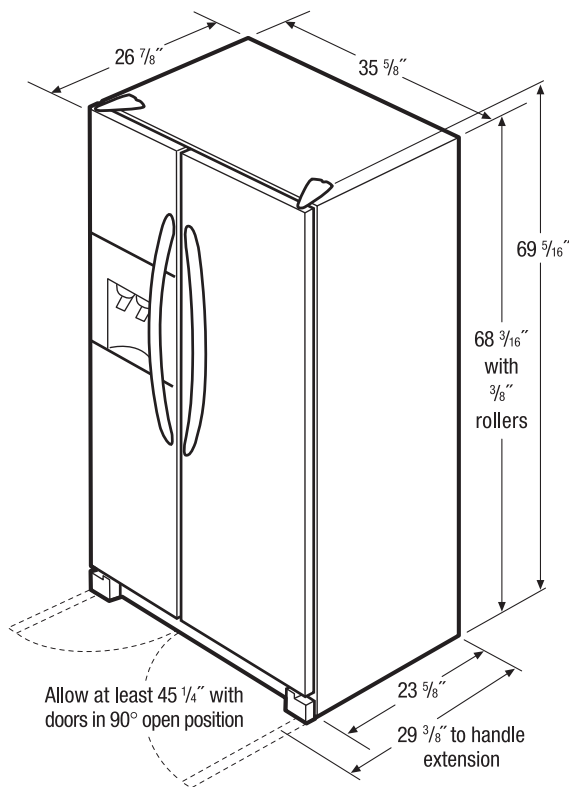


FSC23LR5JM
012505696060

Installation

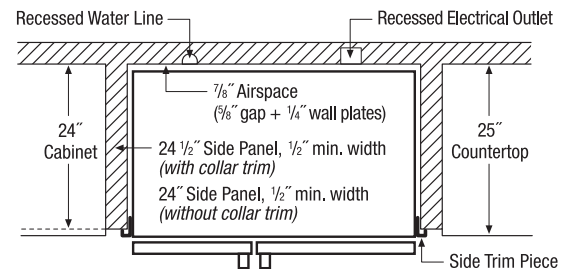
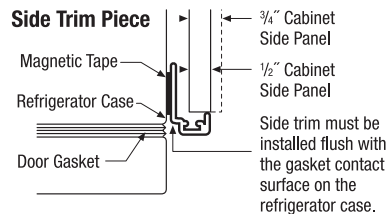
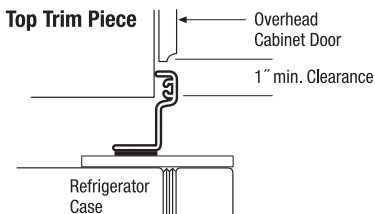
Allow 2" of clearance on hinge side of refrigerator when installing next to a wall where handle may make contact.



Cutout Dimensions

Standard	With Collar Trim Kit
(A) 70 1/4"	(A) 70 1/4"
(B) 36"	(B) 36 1/8"
(C) 24"	(C) 24 1/2"

Collar Trim Kit Installation



Important: Because of continuing product improvements, Electrolux Major Appliances reserves the right to change specifications without notice. Dimension and cutout information is for planning purposes only. For complete installation details consult manual packed with product, or download manual at Customer Service, online at www.frigidaire.com.