

# Dream Kitchens

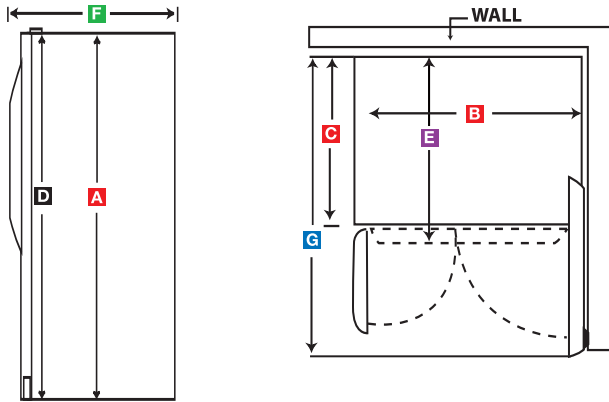
Designed by Lowe's and Frigidaire



Reverso en español

# Side-By-Side Refrigerator Installation

The dimension and cutout information is for planning purposes only. For complete installation details consult manual packed with product, or download manual at Customer Service, online at [www.frigidaire.com](http://www.frigidaire.com).



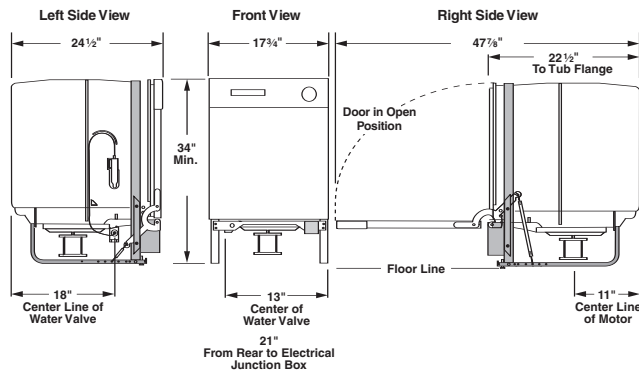
Allow 2" of clearance on hinge side of refrigerator when installing next to a wall where handle may make contact.

Frigidaire Model Numbers	Cabinet Dimensions			Total Dimensions			
	A-Height	B-Width	C-Depth	D-Cabinet*	E-Including Door**	F-With Handles**	G-90° Open**
<b>Side-By-Side Refrigerators</b>							
FRS6L7EE	68 1/4"	35 3/8"	28 1/2"	69 3/8"	36"	34 3/8"	50
FRS6L7F	68 1/4"	35 3/8"	28 1/2"	69 3/8"	36"	34 1/8"	50
FRS6L8F	68 1/4"	35 3/8"	28 1/2"	69 3/8"	36"	34 3/8"	50

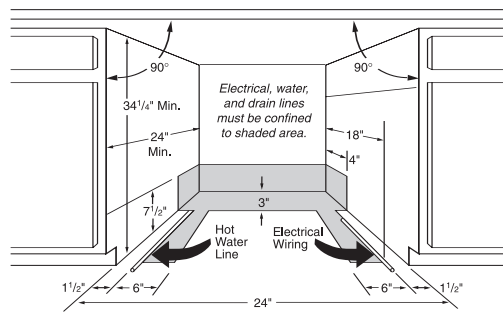
\* Height with Hinge Cover      \*\* Depth

# Dishwasher Installation

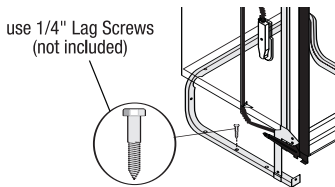
## 18" Dishwashers



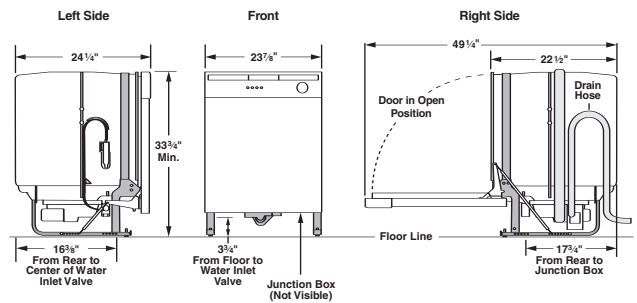
## 24" Dishwashers



## Floor Anchoring

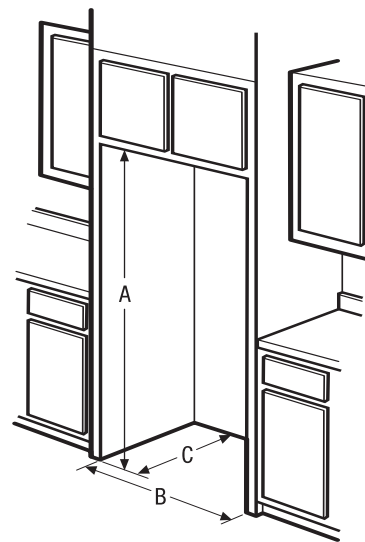
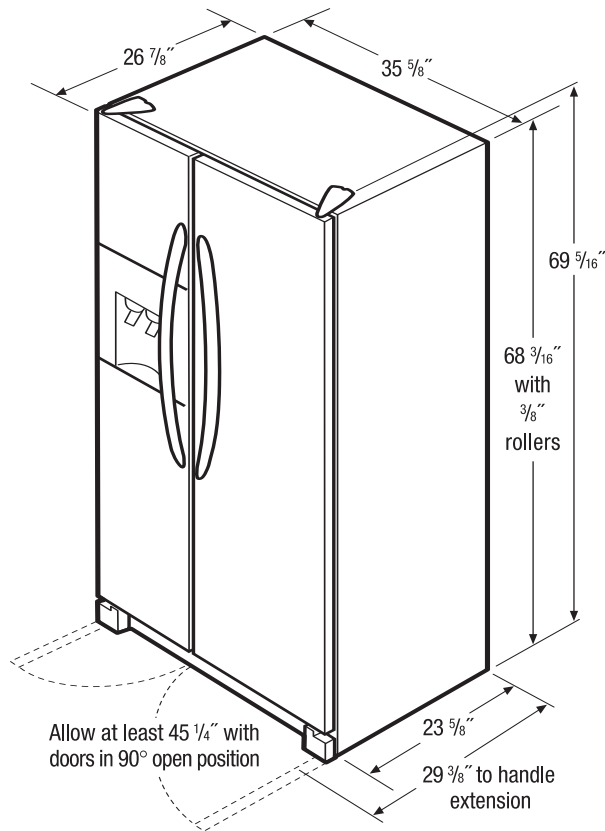


When a new layer of flooring is applied, reduced installation height can occur. To reduce a Frigidaire dishwasher to a 32 1/2" installation height, remove the countertop anchoring clips from the dishwasher frame and mount to the floor with 1/4" lag screws (not included) through the holes provided in the dishwasher frame. Use expansion fasteners if floor is concrete (see illustration).



# Counter-Depth Refrigerator Installation

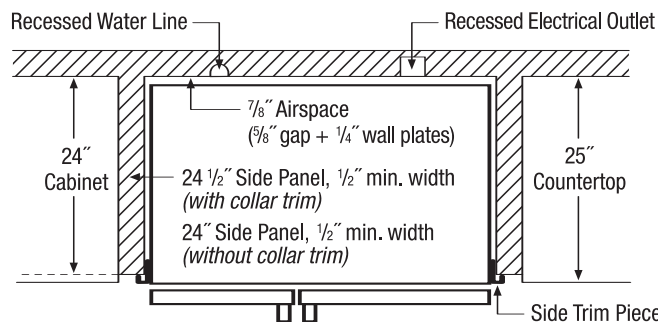
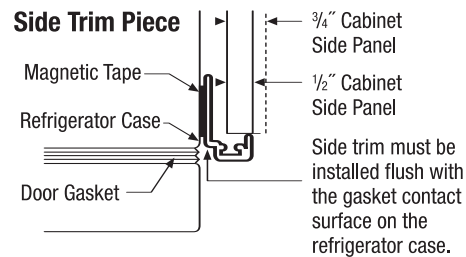
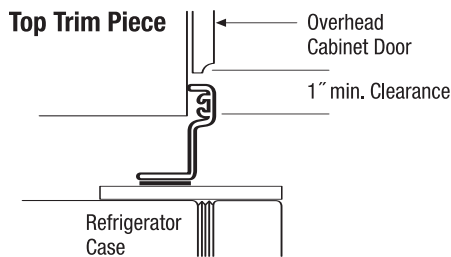
The dimension and cutout information is for planning purposes only. For complete installation details consult manual packed with product, or download manual at Customer Service, online at [www.frigidaire.com](http://www.frigidaire.com).



## Rough-In Dimensions

Standard	With Collar Trim Kit
(A) 70 1/4"	(A) 70 1/4"
(B) 36"	(B) 36 1/8"
(C) 24"	(C) 24 1/2"

## Collar Trim Kit Installation



# Counter-Depth Refrigerator Installation

## Door Panel Installation Kit

Consult installation instructions packed with individual products for complete details.

The following instructions outline the procedure to install Decorator Door Panel Kits or custom panels on your Frigidaire® Counter-Depth Refrigerator Trim Kit models.

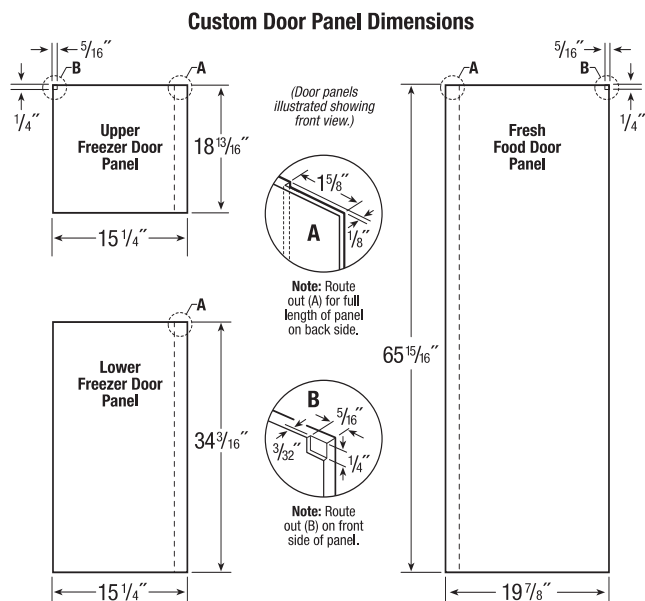
### Decorator Door Panel Kits Available:

White (PK23CDW), Black (PK23CDB) or Stainless Steel (PK23CDS).

### For Custom Door Panels:

Order your own custom door panels to match cabinetry or other décor. Panels up to 1/4" thick will fit door frames with no special preparation. Local shop-built or custom cabinet supplier may fabricate custom 1/4" panels. Refer to drawings below for exact panel dimensions and specifications. Edges must be routed to 1/4".

**Note:** When installing custom panels less than 1/4", insert spacer panel behind door panel for proper fit (spacer panel supplied with Decorator Door Panel Kit). Combined thickness of panels must total 1/4".



## Installation Instructions

Read each step thoroughly before proceeding.

**Tools: #2 Philips Screwdriver**

### Procedure:

**Step 1 – Loosen top trim on freezer and fresh food doors.**

### Step 2 – Remove side trim.

Swing bottom of side trim outward away from door to break magnetic attachment. Lower side trim to pull free of top trim.

### Step 3 – Insert panels.

Remove protective film from panels before insertion.

#### Upper Freezer Panel and Fresh Food Panel –

Cutout notch in panel is positioned to upper outside of door. Lift top trim up 1/4" and carefully push upper freezer panel in until it slides into slot behind door handle.

**Lower Freezer Panel –** Carefully push panel in until it slides into slot behind door handle.

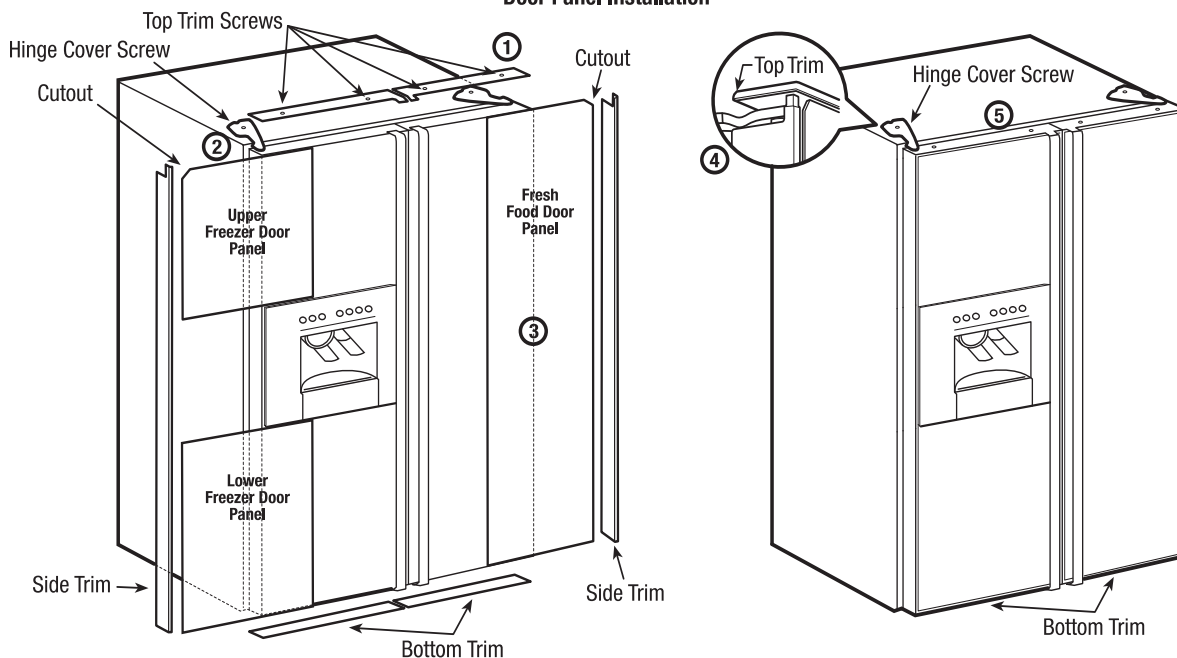
### Step 4 – Install side trim.

Slip upper front corner of side trim under top trim and swing into position. Make sure trim seats behind panel and in front of Ice & Water dispenser. Magnetic attraction will hold trim in place.

### Step 5 – Tighten screws on top trim.

The dimension and cutout information is for planning purposes only. For complete installation details consult manual packed with product, or download manual at Customer Service, online at [www.frigidaire.com](http://www.frigidaire.com).

## Door Panel Installation





# Wall Oven Installation

## How To Select The Correct Size Wall Oven

Frigidaire Wall Ovens have been designed to be a “universal” replacement product. Our unique adjustable universal fit bracket helps assure an easy fit when you are replacing an older unit. In order to determine the optimum replacement product, a few measurements are necessary. (Frigidaire 24” & 27” Wall Ovens will replace 90% of older Wall Oven styles without requiring any cabinet work.)

### Step 1

Basic Cabinet width **F** will limit which models will fit your application. Measure your cabinet from edge to edge. The standard wall oven sizes available are: 24”, 27”, 30”. The actual oven size cannot be larger than this basic cabinet measurement, **F**.

### Step 2

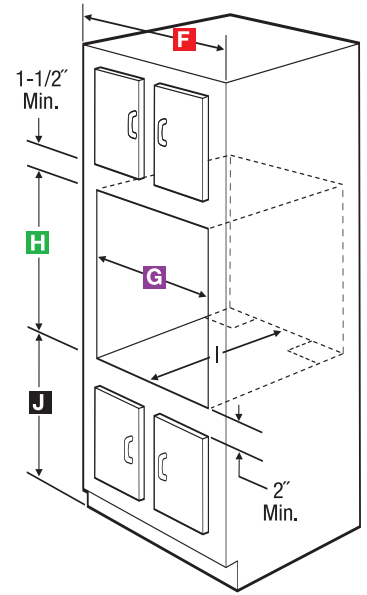
Determine cutout dimensions by measuring the “cutout hole” (**G** & **H**). To give you enough space to measure, remove any securing screws and pull the oven out a few inches.

### Step 3

Write your cutout **Width G** and cutout **Height H** next to the models that fit within the minimum and maximum cutout dimensions in the chart below.

### Step 4

Once you have determined which ovens fit your application refer to the feature page to help you decide your feature level.



Frigidaire Model Numbers	Exterior Dimensions			Cabinet F-Size	G-Width		H-Height		Clearance		
	A-Width	B-Height	C-Depth		Cutout Dimensions				I-Depth	J-To Floor	
				Min	Max	Min	Max				
<b>30" Electric Wall Ovens</b>					<b>Your Width</b>		<b>Your Height</b>				
PLEB30T9DC	30"	50 7/16"	24 1/2"	30 1/8"	28 1/2"	29"	49 1/8"	49 7/8"	23 1/2"	11 1/2"	
FEB30S7DC	30"	29"	24 1/2"	30 1/8"	28 1/2"	29"	27 1/4"	28 3/8"	23 1/2"	4 1/2"-31"	

# Cooktop Installation

## How To Select The Correct Size Cooktop

### Step 1

Measure the cooktop outside dimensions from edge to edge to find the **Width A** and **Depth B**. Normal Width sizes are: 26”, 30”, 32”, 36”. Normal Depth sizes are: 21” or 18”. Use this size to narrow your model selection.

### Step 2

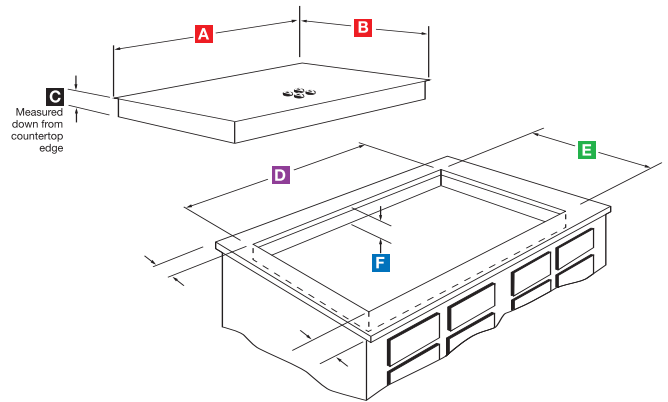
Determine cutout dimensions by measuring the “cutout hole” (**D** & **E**). This is best measured when the old cooktop is removed. Write your cutout **Width D** and cutout **Depth E** next to the models that fit within the minimum and maximum cutout dimensions in the chart below.

### Step 3

Measure the **Under-Counter Clearance F**. In most installations this height is not important. This only needs to be considered when there might be obstructions below (ie: undercounter oven or plumbing).

### Step 4

Once you have determined which Cooktops fit your application refer to the feature page to help you decide your feature level.

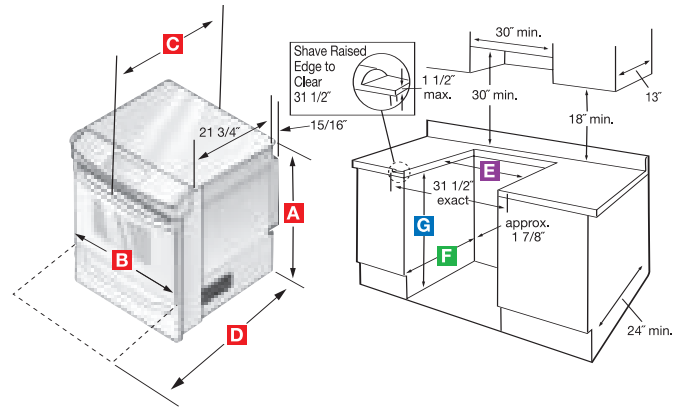


Frigidaire Model Numbers	Exterior Dimensions			D-Width	E-Depth	Clearance			
	A-Width	B-Depth	C-Height			Cutout Dimensions			
				Min	Max	Min	Max	U/C Clearance	
<b>36" &amp; 30" Electric Cooktops</b>					<b>Your Width</b>		<b>Your Depth</b>		
PLGC36S9EC	36"	21 1/2"	2 3/4"	33 7/8"	34 1/4"	19 1/8"	19 3/4"	8"	
FEC30S7EC	30 3/4"	21 3/8"	3 1/4"	29 3/8"	29 7/8"	20 1/4"	20 1/2"	5"	

# Slide-In Range Installation

## How To Select A Slide-In Range

Slide-in Ranges provide a custom built-in look in the footprint of a traditional range. Available in Electric, Gas and Dual Fuel models. Refer to the feature page to help you decide your feature level.

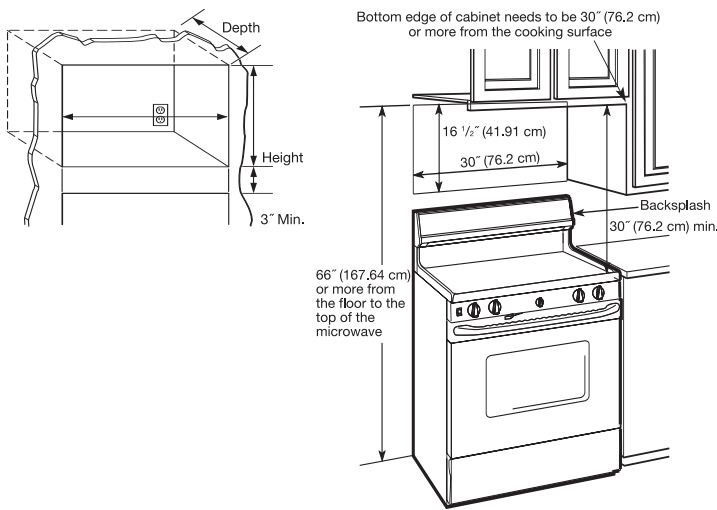


Frigidaire Model Numbers	Exterior Dimensions (All Models)				Cutout Dimensions		
	A-Height	B-Width	C-Depth	D-Depth w/ Door Open	E-Width	F-Depth	G-Height of Countertop
<b>Electric Slide-In Ranges</b>							
FES365ES	35 5/8" to 36 3/8"	30"	24 3/4"* 28"**	45 1/4"	30"	21 3/4" Min 22 1/8" Max	35 5/8" Min 36 5/8" Max
* Depth to Front Panel		** Depth to extreme Protrusion					

## Microwave Oven Installation

On 27" models, allow 1" at the top, 1 1/16" on the sides and 1 3/8" at the bottom for overlap of the Trim Frame over the edges of the cutout.

On 30" models, allow 1" at the top, 2 3/16" on the sides and 1 3/8" at the bottom for overlap of the Trim Frame over the edges of the cutout.



Frigidaire Model Numbers	Exterior Dimensions		
	Width	Height Front	Depth
<b>Over the Range Microwave Ovens</b>			
PLMV169DC	29 15/16"	16 3/8"	16 15/16"
GLMV169DS	29 15/16"	16 3/8"	16 15/16"

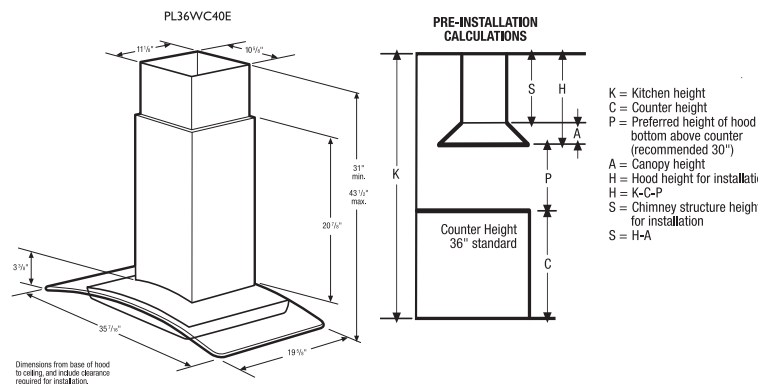
## Vent System Installation

The dimension and cutout information is for planning purposes only. For complete installation details consult manual packed with product, or download manual at Customer Service, online at [www.frigidaire.com](http://www.frigidaire.com).

### Peninsula Installation

#### Pre-Installation Calculations

- Select hood preference height (P) that is comfortable for user (30" recommended, 24"-30" allowed).
- Calculate hood height (H) for installation ( $H = K - C - P$ ).
- Confirm that (H) is within minimum to maximum range for hood. If not, adjust installation.
- Calculate chimney structure height (S). Use formulas, check dimensions of hood. Save calculation for use later in installation.



Frigidaire Model Numbers	Exterior Dimensions		
	Width	Height Front	Depth
<b>Ventilation System</b>			
PL36WC40EC	35 7/16"	31 3/8" Min-43 1/2" Max	19 3/8"

Visit our Brand Page @ [www.lowes.com/frigidaire](http://www.lowes.com/frigidaire)

*Frigidaire*<sup>®</sup>

**1-800-FRIGIDAIRE • <http://www.frigidaire.com>**

Electrolux Home Products, NA

250 Bobby Jones Expressway, Martinez, GA 30907