



dream kitchens  
designed by Lowe's and GE Profile™



GE Profile™ appliances and deluxe cabinets create exquisite dream kitchens



*Built-in appliances provide a seamless appearance, removing the boundaries between the appliances and cabinetry.*



Expansive kitchens with beautiful, smart dishwashers and multiple cooking appliances. Built-in refrigerators with custom, cabinet-matching panels. Sleek, stainless steel hoods. Innovative ovens that deliver delicious results in minutes. These are the possibilities that define tomorrow's home, and you can experience them today with GE Profile appliances.



*Stainless steel appliances provide a sleek, high-tech appearance. And, because stainless reflects light and color, it helps brighten the kitchen and create an open feeling.*



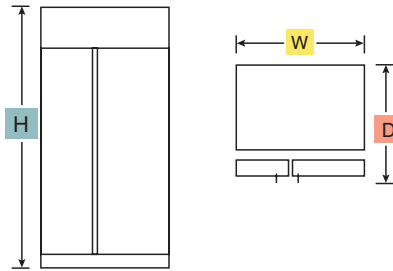
*With custom wood panels, the GE Profile fully integrated side-by-side refrigerator virtually disappears.*

# GE® and GE Profile™ product dimensions

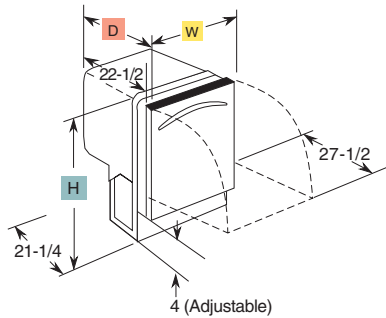
## Side-By-Side Refrigerators

Model	Overall Product Dimensions		
	W-Width	D-Depth	H-Height
<b>GE Profile</b>			
PSB48LSR	48"	26-29/32"	83-29/32"
PSW23PSS	36" <sup>†</sup>	29-11/16"	70-3/4" <sup>††</sup>
PSS26LGS	35-3/4"	34-11/16"	69-1/4"

† Width excluding caps: 35-7/8".  
 †† When cap is removed: 69-1/4".



Your dimensions: \_\_\_\_\_ / \_\_\_\_\_ / \_\_\_\_\_  
 width                      depth                      height

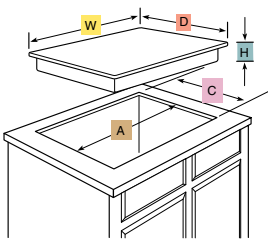


## Dishwashers

Model	Overall Product Dimensions			
	W-Width	D-Depth	H-Height w/legs retracted	H-Height w/legs removed
<b>GE Profile</b>				
PDW9980L	24"	24-3/4" <sup>†</sup>	34"	33-13/16"
PDW8980L	24"	24-3/4" <sup>††</sup>	34"	33-13/16"
PDW7380J	24"	24-3/4" <sup>††</sup>	34"	33-13/16"

† Add 1/2" for the deepest part of the contour door.  
 Allow an additional 2" for the handle.  
 †† Add 1/2" for the deepest part of the contour door.

Your dimensions: \_\_\_\_\_ / \_\_\_\_\_ / \_\_\_\_\_  
 width                      depth                      height



## Electric Cooktops

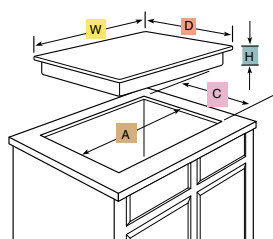
Model	Overall Product Dimensions			Cut-Out Dimensions			
	W-Width	D-Depth	H-Height	A - Width		C - Depth	
				Min.	Max.	Min.	Max.
<b>30" Models</b>							
JP950*	29-3/4"	21-7/16"	3-1/4"	28-3/8"	28-1/2"	19-1/2"	19-5/8"
JP940*	29-3/4"	21-7/16"	3-1/4"	28-3/8"	28-1/2"	19-1/2"	19-5/8"
JP930*	29-3/4"	21-7/16"	3-1/4"	28-3/8"	28-1/2"	19-1/2"	19-5/8"
JP910*	29-3/4"	21-7/16"	3-1/4"	28-3/8"	28-1/2"	19-1/2"	19-5/8"
JP355*	29-3/4"	20-7/8"	3-1/4"	28-3/8"	28-1/2"	19-1/2"	19-5/8"
JP340*	29-3/4"	20-7/8"	3-1/4"	28-3/8"	28-1/2"	19-1/2"	19-5/8"
JP328*	30-1/4"	21-1/4"	—	28-3/8"	28-1/2"	19-3/8"	19-1/2"
<b>36" Models</b>							
JP980*	36"	21-3/16"	3-1/4"	33-3/4"	33-7/8"	19"	19-1/8"
JP970*	36"	21-3/16"	3-1/4"	33-3/4"	33-7/8"	19"	19-1/8"
JP960*	36"	21-3/16"	3-1/4"	33-3/4"	33-7/8"	19"	19-1/8"
JP655*	36"	20-3/8"	3-1/4"	33-3/4"	33-7/8"	19"	19-1/8"
JP626*	35-1/2"	21"	3"	33-3/4"	33-7/8"	19"	19-1/8"
<b>Downdraft Models</b>							
JP989	29-7/8"	21-7/8"	21-7/8" <sup>**</sup>	28-7/8"	29"	20-5/8"	20-3/4"
JP389	29-7/8"	21-9/16"	19" <sup>**</sup>	28-7/8"	29"	20-5/8"	20-3/4"

\*Cooktops approved for installation over a wall oven.  
 \*\*Includes blower motor assembly.

Your dimensions: \_\_\_\_\_ / \_\_\_\_\_ / \_\_\_\_\_  
 width                      depth                      height

Dimensions listed are for pre-planning purpose only.  
 Please refer to full installation instructions available at ge.com.

## GE and GE Profile product dimensions



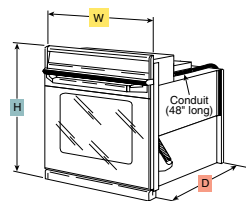
### Gas Cooktops

Model	Overall Product Dimensions			Cut-Out Dimensions			
	W-Width	D-Depth	H-Height	A - Width		C - Depth	
				Min.	Max.	Min.	Max.
<b>30" Models</b>							
JGP945*	30"	21"	3-3/16"	28-3/8"	28-1/2"	19-1/2"	19-5/8"
JGP940*	29-3/4"	21-7/16"	3-3/16"	28-3/8"	28-1/2"	19-1/2"	19-5/8"
JGP933*	30"	21"	3-3/16"	28-3/8"	28-1/2"	19-1/2"	19-5/8"
JGP337*	30"	21"	3"	28-3/8"	28-1/2"	19-1/2"	19-5/8"
JGP330*	30"	21"	3-3/16"	28-3/8"	28-1/2"	19-1/2"	19-5/8"
JGP328*	30"	21"	3-3/16"	28-3/8"	28-1/2"	19-1/2"	19-5/8"
JGP321*	30-1/4"	21-1/4"	3-9/16"	28-3/8"	28-1/2"	19-1/2"	19-5/8"
<b>36" Models</b>							
JGP975*	36"	21"	3-3/16"	33-3/4"	33-7/8"	19"	19-1/8"
JGP970*	36"	21-3/16"	3-3/16"	33-3/4"	33-7/8"	19"	19-1/8"
JGP963*	36"	21"	3-1/16"	33-3/4"	33-7/8"	19"	19-1/8"
JGP637*	36"	21"	3-1/16"	33-3/4"	33-7/8"	19"	19-1/8"
JGP630	36"	21"	3-3/16"	33-3/4"	33-7/8"	19"	19-1/8"
JGP628*	36"	21"	3-3/16"	33-3/4"	33-7/8"	19"	19-1/8"
<b>Downdraft Models</b>							
JGP989	29-7/8"	21-7/8"	21-7/8"***	28-7/8"	29"	20-5/8"	20-3/4"

\*Cooktops approved for installation over a wall oven.

\*\*Includes blower motor assembly.

Your dimensions: \_\_\_\_\_ / \_\_\_\_\_ / \_\_\_\_\_  
width                      depth                      height



### Single Wall Ovens

Model	Overall Product Dimensions			Cabinet S = Size	Cut-Out Dimensions				
	W-Width	D-Depth	H-Height		A - Width		B - Height		C - Depth
				Min.	Max.	Min.	Max.		
<b>GE Profile</b>									
JT930	29-3/4"	23-1/2"	28-1/4"	30"	28-1/2"	28-5/8"	27-1/4"	27-5/16"	23-1/2"
JT915	29-3/4"	23-1/2"	28-1/4"	30"	28-1/2"	28-5/8"	27-1/4"	27-5/16"	23-1/2"
JT912	29-3/4"	23-1/2"	28-1/4"	30"	28-1/2"	28-5/8"	27-1/4"	27-5/16"	23-1/2"
JK915	26-5/8"	23-5/8"	29"	27"	25"	25-1/4"	27-5/8"	28-1/8"	23-5/8"
<b>GE</b>									
JTP25	29-3/4"	23-1/2"	28-1/4"	30"	28-1/2"	28-5/8"	27-1/4"	27-5/16"	23-1/2"
JTP20	29-3/4"	23-1/2"	28-1/4"	30"	28-1/2"	28-5/8"	27-1/4"	27-5/16"	23-1/2"
JKP25	26-5/8"	23-5/8"	29"	27"	25"	25-1/4"	27-5/8"	28-1/8"	23-5/8"
JKP20	26-5/8"	23-5/8"	29"	27"	25"	25-1/4"	27-5/8"	28-1/8"	23-5/8"
JKS06	26-5/8"	23-5/8"	29"	27"	25"	25-1/4"	27-5/8"	28-1/8"	23-5/8"
JRP20	23-3/4"	25-1/8"	28-1/4"	24"	22-1/2"	—	27-5/8"	—	23-1/2"
JRS06	23-3/4"	25-1/8"	28-1/4"	24"	22-1/2"	—	27-5/8"	—	23-1/2"
JGRP20	23-3/4"	25-3/8"	38-3/4"	24"	22-3/16"	—	38"	—	23-5/8"
JGRS06	23-3/4"	25-3/8"	38-3/4"	24"	22-3/16"	—	38"	—	23-5/8"

Your dimensions: \_\_\_\_\_ / \_\_\_\_\_ / \_\_\_\_\_  
width                      depth                      height

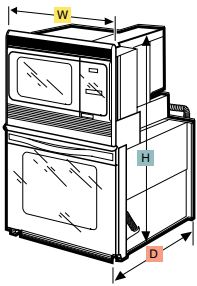
# GE® and GE Profile™ product dimensions



## Double Wall Ovens

Model	Overall Product Dimensions			Cabinet S = Size	Cut-Out Dimensions				C - Depth
	W-Width	D-Depth	H-Height		A - Width		B - Height		
					Min.	Max.	Min.	Max.	
<b>GE Profile</b>									
JT980	29-3/4"	23-1/2"	52-7/8"	30"	28-1/2"	28-5/8"	51-13/16"	51-15/16"	23-1/2"
JT955	29-3/4"	23-1/2"	52-7/8"	30"	28-1/2"	28-5/8"	51-13/16"	51-15/16"	23-1/2"
JT952	29-3/4"	23-1/2"	52-7/8"	30"	28-1/2"	28-5/8"	51-13/16"	51-15/16"	23-1/2"
JK955	26-5/8"	23-5/8"	51"	27"	25"	25-1/4"	—	50-1/8"	23-5/8"
<b>GE</b>									
JTP50	29-3/4"	23-1/2"	52-7/8"	30"	28-1/2"	28-5/8"	51-13/16"	51-15/16"	23-1/2"
JTP48	29-3/4"	23-1/2"	52-7/8"	30"	28-1/2"	28-5/8"	51-13/16"	51-15/16"	23-1/2"
JTP28	29-3/4"	23-1/2"	52-7/8"	30"	28-1/2"	28-5/8"	51-13/16"	51-15/16"	23-1/2"
JKP50	26-5/8"	23-5/8"	51"	27"	25"	25-1/4"	—	50-1/8"	23-5/8"
JKP48	26-5/8"	23-5/8"	51"	27"	25"	25-1/4"	—	50-1/8"	23-5/8"
JKP28	26-5/8"	23-5/8"	51"	27"	25"	25-1/4"	—	50-1/8"	23-5/8"
JRP28	23-3/4"	23-1/8"	48-25/32"	24"	22-1/2"	—	48-1/8"	—	23-1/2"

Your dimensions: \_\_\_\_\_ / \_\_\_\_\_ / \_\_\_\_\_  
width                      depth                      height

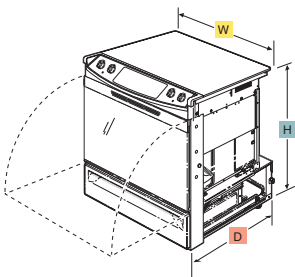


## Double Ovens (Microwave Upper/Convection Lower)

Model	Overall Product Dimensions			Cabinet S = Size	Cut-Out Dimensions				C - Depth
	W-Width	D-Depth	H-Height		A - Width		B - Height		
					Min.	Max.	Min.	Max.	
<b>GE Profile</b>									
JT965	29-3/4"	23-1/2"	43-1/2"	30"	28-1/2"	28-5/8"	42-3/16"	42-1/4"	23-1/2"
<b>GE</b>									
JTP86	29-3/4"	23-1/2"	43-1/2"	30"	28-1/2"	28-5/8"	42-3/16"	42-1/4"	23-1/2"
JKP86	26-5/8"	23-5/8"	42-1/8"	27"	—	25-1/4"	—	41-1/4"	23-5/8"

If you are replacing a wall oven, GE Profile and GE wall ovens replace most major brands 10 years old or younger with no minor modifications.

Your dimensions: \_\_\_\_\_ / \_\_\_\_\_ / \_\_\_\_\_  
width                      depth                      height



## Slide-In Ranges

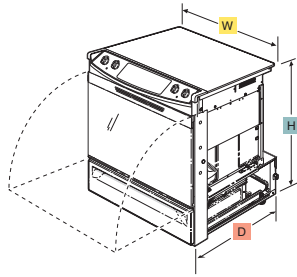
Model	Overall Product Dimensions			Depth with Door Open	Cut-Out Dimensions		
	W-Width	D-Depth	H-Height*		A - Width	B - Height	C - Depth
<b>GE Profile</b>							
JS998	31-1/4"	27-13/16"	36-1/4"	45"	30"	36"	23-3/16"
JS968	31-1/4"	27-13/16"	36-1/4"	45-1/4"	30"	36"	23-3/16"
JS905	31-1/4"	27-13/16"	36-1/4"	45-1/4"	30"	36"	23-3/16"
<b>GE</b>							
JSP42	31-1/4"	27-13/16"	36-1/4"	45-1/8"	30"	36"	23-3/16"
JSP39	31-1/4"	27-13/16"	36-1/4"	45-1/8"	30"	36"	23-3/16"
JSP28	31-1/4"	27-13/16"	36-1/4"	45-1/8"	30"	36"	23-3/16"
<b>GE Profile</b>							
J2S968	31-1/4"	27-13/16"	36-1/4"	44-3/4"	30"	36"	23-3/16"
JGS968	31-1/4"	27-13/16"	36-1/4"	44-3/4"	30"	36"	23-3/16"
JGS905	31-1/4"	27-13/16"	36-1/4"	44-3/4"	30"	36"	23-3/16"
<b>GE</b>							
JGSP28	31-1/4"	27-1/2"	36-11/16"	45-1/8"	30"	36"	23-3/16"
JGSS05	30"	28-1/4"	36-1/4"	46-3/8"	30"	36"	23-3/16"

\*Height to top of cooking surface or grate.

Your dimensions: \_\_\_\_\_ / \_\_\_\_\_ / \_\_\_\_\_  
width                      depth                      height

Dimensions listed are for pre-planning purpose only. Please refer to full installation instructions available at ge.com.

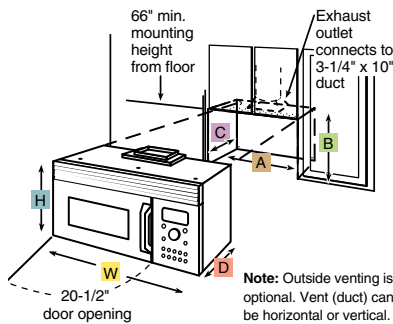
# GE and GE Profile product dimensions



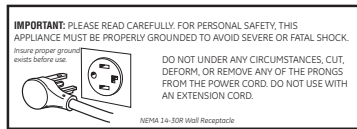
## Drop-in Ranges

Model	Overall Product Dimensions			Depth with Door Open	Cut-Out Dimensions		
	W-Width	D-Depth	H-Height*		A - Width	B - Height	C - Depth
<b>GE Profile</b>							
JD968	31-1/4"	26-1/2"	27"	—	30"	27-1/2"	23-3/16"
JD900	31-1/4"	26-1/2"	27"	—	30"	27-1/2"	23-3/16"
JMP31	27-1/8"	22-3/16"	29-9/16"	42-3/16"	26-1/4"	28-7/16"	22-7/8"
<b>GE</b>							
JDP39	31-1/4"	26-1/2"	27"	43-1/2"	30"	27-1/2"	23-3/16"
JMP28	27-1/8"	22-3/16"	29-9/16"	42-3/16"	26-1/4"	28-7/16"	22-7/8"
JDS28	31-1/4"	26-1/2"	27"	—	30"	27-1/2"	23-3/16"
JMS08	27-1/8"	22-3/16"	29-9/16"	42-3/16"	26-1/4"	28-7/16"	22-7/8"

Your dimensions: \_\_\_\_\_ / \_\_\_\_\_ / \_\_\_\_\_  
width / depth / height



Note: Outside venting is optional. Vent (duct) can be horizontal or vertical.



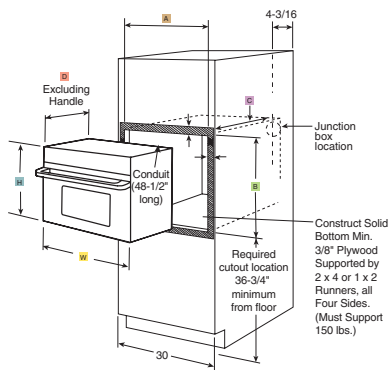
## GE Profile Advantium® 120 Ovens

Model	Overall Product Dimensions				Cut-Out Dimensions				
	W-Width	D-Depth*	H-Height Front	Height Rear	A-Width	B-Height	C - Depth		
		Min.	Max.						
<b>Above-the-Cooktop Ovens</b>									
SCA1000/1**	29-7/8"	15-3/8"	16"	16-13/32"	30"	16-13/32"	12"	13-1/2"	
<b>Wall Oven</b>									
SCB1000/1**	26-3/4"	21-1/2"	19-1/32"	19-1/32"	25-1/4"	17-1/2"	23-1/2"	—	
SCB1000/1** (with trim kit)	29-3/4"	21-1/2"	19-1/32"	19-1/32"	—	17-1/2"	23-1/2"	—	

\*Excluding handle.  
\*\*120 volt.

Your dimensions: \_\_\_\_\_ / \_\_\_\_\_ / \_\_\_\_\_  
width / depth / height

## GE Profile Advantium 240 Ovens



Note: Cabinets installed adjacent to wall ovens must have an adhesion spec of at least 194°F temperature rating.

Note: 2" minimum between cutouts when installed above warming drawer or single wall oven.

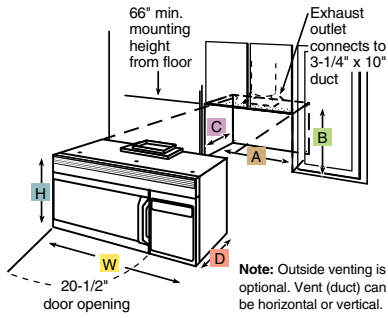
Model	Overall Product Dimensions				Cut-Out Dimensions		
	W-Width	D-Depth*	H-Height	Height Rear	A - Width	B - Height	C - Depth
<b>Above-the-Cooktop Ovens</b>							
SCA2000/1**	29-7/8"	15-1/4"	16"	16-13/32"	30"	16-13/32"	12"
<b>Wall Oven</b>							
SCB2000/1**	29-25/32"	15-27/32"	21-7/8"	21-7/8"	28-1/2"	21"	19"

\*Excluding handle.  
\*\*240 volt.

Your dimensions: \_\_\_\_\_ / \_\_\_\_\_ / \_\_\_\_\_  
width / depth / height

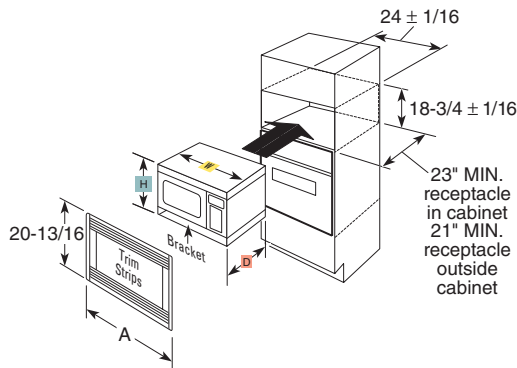
# GE® and GE Profile™ product dimensions

## Spacemaker® Microwave Ovens



Model	Overall Product Dimensions				Cut-Out Dimensions			
	W-Width	D-Depth	H-Height Front	Height Rear	A-Width	B-Height	C - Depth	
							Min.	Max.
<b>GE Profile Convection</b>								
JVM1790	29-5/16"	15-3/8"	15-3/8"	16-13/32"	30"	16-13/32"	12"	—
<b>GE Profile</b>								
JVM2070	29-7/8"	15-7/16"	16"	16-11/32"	30"	16-11/32"	12"	—
JVM3670	35-7/8"	15-1/4"	16"	16-13/32"	36"	16-13/32"	12"	13-1/4"
JVM1870	29-7/8"	15-1/4"	16"	16-13/32"	30"	16-13/32"	12"	13-1/4"
<b>GE</b>								
JVM2050	29-7/8"	15-7/16"	16-11/32"	16-13/32"	30"	16-13/32"	12"	—
JVM1850	29-7/8"	15-1/4"	16"	16-13/32"	30"	16-13/32"	12"	13-1/4"
JVM1650	29-7/8"	15-1/4"	16"	16-13/32"	30"	16-13/32"	12"	—
JVM1640	29-7/8"	15-5/32"	15-5/8"	16-3/16"	30"	16-13/32"	12"	13-1/4"
JVM1630	29-7/8"	15-5/32"	15-5/8"	16-3/16"	30"	16-13/32"	12"	—
JVM1440	29-7/8"	15-1/4"	16"	16-13/32"	30"	16-13/32"	12"	—
JVM1430	29-7/8"	15-1/4"	16"	16-13/32"	30"	16-13/32"	12"	—

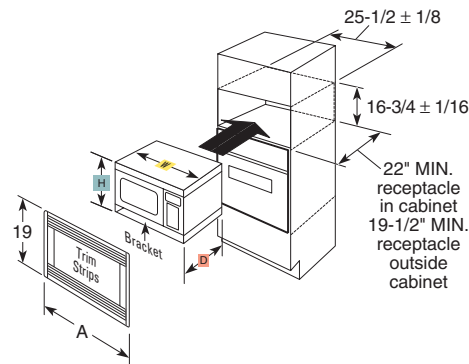
Your dimensions: \_\_\_\_\_ / \_\_\_\_\_ / \_\_\_\_\_  
width                      depth                      height



## Microwave Ovens

Model	Overall Product Dimensions		
	W-Width	D-Depth	H-Height
<b>GE Profile</b>			
JE1590	22-5/8"	19-7/8"	14-7/8"
JE2160	24"	19-1/2"	13-13/16"

Your dimensions: \_\_\_\_\_ / \_\_\_\_\_ / \_\_\_\_\_  
width                      depth                      height



## GE Profile Microwave Oven Trim Kits

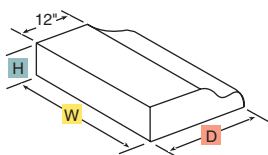
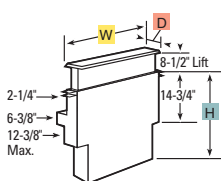
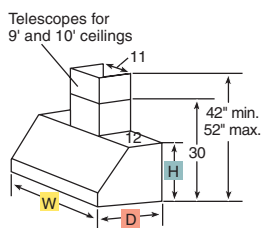
Model	30" Deluxe Trim Kit	A-Width	27" Deluxe Trim Kit	A-Width
JE1590SH	JX1530CSH	29-3/4"	JX1527CSH	26-3/4"
JE1590WH	JX1530CWH	29-3/4"	JX1527CWH	26-3/4"
JE1590BH	JX1530CBH	29-3/4"	JX1527CBH	26-3/4"

Model	30" Deluxe Trim Kit	A-Width	27" Deluxe Trim Kit	A-Width
JE2160SF	JX2130SH	29-3/4"	JX2127SH	26-5/8"
JE2160WF	JX2130WH	29-3/4"	JX2127WH	26-5/8"
JE2160CF	JX2130CH	29-3/4"	JX2127CH	26-5/8"
JE2160BF	JX2130BH	29-3/4"	JX2127BH	26-5/8"

Dimensions listed are for pre-planning purpose only. Please refer to full installation instructions available at ge.com.



## GE and GE Profile product dimensions

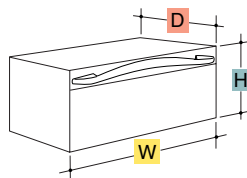


### Range Hoods

Model	Overall Product Dimensions			Color	Descriptions
	W-Width	D-Depth	H-Height		
<b>GE Profile Slide-Out Hoods</b>					
JV960/930	36"/30"	12-1/8"	14-3/4"	BR/BR	300-CFM, variable-speed fan control, cooktop light
JV695/694	36"	12-1/8"	14-3/4"	WW/BB	300-CFM, variable-speed fan control, cooktop light
JV395/394	30"	12-1/8"	14-3/4"	WW/BB	300-CFM, variable-speed fan control, cooktop light
<b>GE Profile Designer Hoods</b>					
JV966/936	36"/30"	21"	18"	SS/SS	600-CFM, four-speed fan control, two halogen cooktop lights
<b>GE Profile Telescopic Downdraft Systems</b>					
JVB98/94	36"/30"	2-1/8"	27"	SS/SS	500-CFM, variable-speed fan control
JVB67/37	36"/30"	2-1/8"	27"	WW/CC/BB	350-CFM, upfront variable-speed fan with slide control
<b>GE Profile High-Performance Hoods</b>					
JV666/665	35-7/8"	20"	4-3/4"	SS/WW, BB	350/400-CFM, four-speed fan control, two halogen cooktop lights
JV636/635	29-7/8"	20"	4-3/4"	SS/WW, BB	350/400-CFM, three-speed fan control, two halogen cooktop lights
<b>GE Profile Performance Hoods</b>					
JV566/565	29-7/8"	20"	4-3/4"	SS/WW, CC, BB	200-CFM, two-speed fan control, two halogen cooktop lights
JV536/535	35-7/8"	20"	4-3/4"	SS/WW, CC, BB	200-CFM, two-speed fan control, two halogen cooktop lights

Your dimensions: \_\_\_\_\_ / \_\_\_\_\_ / \_\_\_\_\_  
width                      depth                      height

### Warming Drawers



Model	Overall Product Dimensions			Cabinet S = Size	Cut-Out Dimensions		
	W-Width	D-Depth	H-Height		A - Width	B - Height	C - Depth
<b>GE Profile</b>							
JTD915	30"	23-1/4"	10-1/2"	30"	28-1/2"	9-1/4"	23-1/2"
JKD915	26-3/4"	23-1/4"	10-1/2"	27"	25-1/2"	9-1/4"	23-1/2"

Your dimensions: \_\_\_\_\_ / \_\_\_\_\_ / \_\_\_\_\_  
width                      depth                      height



## Services and conveniences



Ask Sales Associate about current GE promotions.  
Receive Cash Back on GE Profile™ kitchen packages.



Lowe's offers convenient payment options to meet your personal budgetary needs. Low monthly payments make it easy to budget your purchase.



Lowe's offers everything you need for your dream kitchen under one roof: appliances, cabinets, countertops, and more. Ask a Lowe's Kitchen Specialist to help draw your dream kitchen.



Installation services are guaranteed by Lowe's. See contract for details.

Each Lowe's store gives you access to trained, reliable installers who are licensed\* and insured. (\*in states that require licensing).

The Installed Sales Team at each store will ensure the installation is scheduled to meet your needs. Installation is available for dishwashers, cooktops, gas ranges, over-the-range microwaves, range hoods and wall ovens. Lowe's appliance installation includes delivery, removal & haul away of your old appliance, new appliance install, and clean up.



Over 250 major appliances in stock in every store, with thousands more options available through special order. Lowe's offers an unmatched special order program: quick, easy, and thousands of unique options.

### STORE ASSOCIATE INFORMATION

Store Name:	_____
Lowe's Associate Name:	_____
Phone Number:	_____
Date:	_____

©2005, Lowe's®. All rights reserved. Lowe's and the Gable Design are registered trademarks of LF, LLC.



As an ENERGY STAR® Partner, GE has determined that this product meets the ENERGY STAR® guidelines for energy efficiency. Before purchasing an appliance, read important information about its estimated annual energy consumption or energy efficiency rating that is available from your retailer or GEAppliances.com.

GE has a policy of continuous improvement of its products and reserves the right to change materials and specifications without notice.