



Whether it's nighttime or nap time, the furriest member of your family will thank you for this handmade bunk.

Pet Bed

We hope you enjoy this free woodworking project provided to you as a special thanks for being a member of Lowe's Woodworkers.

Just like people, pets need a special place they can call their own. The bed featured here serves as the perfect spot for your best friend to sleep or just to lounge in while keeping an eye on the rest of the family. Best of all, this divan can be constructed in one afternoon.

Instructions:

General: Cut all parts to size according to the Cut List. Set all nails, and fill holes with putty, sanding smooth when dry. Note: The bed pictured here is designed for a smaller breed; you will

need to [customize the measurements](#) provided here in order to suit a larger pet.

Step 1: Make the front panel.

a. Lay out each [end](#) of the front panel as shown in the Front Panel Detail. Use a compass to draw the curves near each end.

b. Use a straightedge to mark a horizontal line joining the lower curves 4½ inches up from the bottom.

c. Use a jigsaw to cut out the recess in the front panel. Note: If you have a 2-inch hole saw, you can cut the bottom inside curves of the front panel by drilling a 2-inch hole as shown in the Front Panel Detail.

d. Sand the edges smooth. (Tip: A dowel wrapped with sandpaper works well for sanding the curves.)

Step 2: Assemble the pet bed.

a. Attach the front panel and the back to the sides using glue and finishing nails. Set the heads of the nails approximately $\frac{1}{16}$ inch below the wood surface.

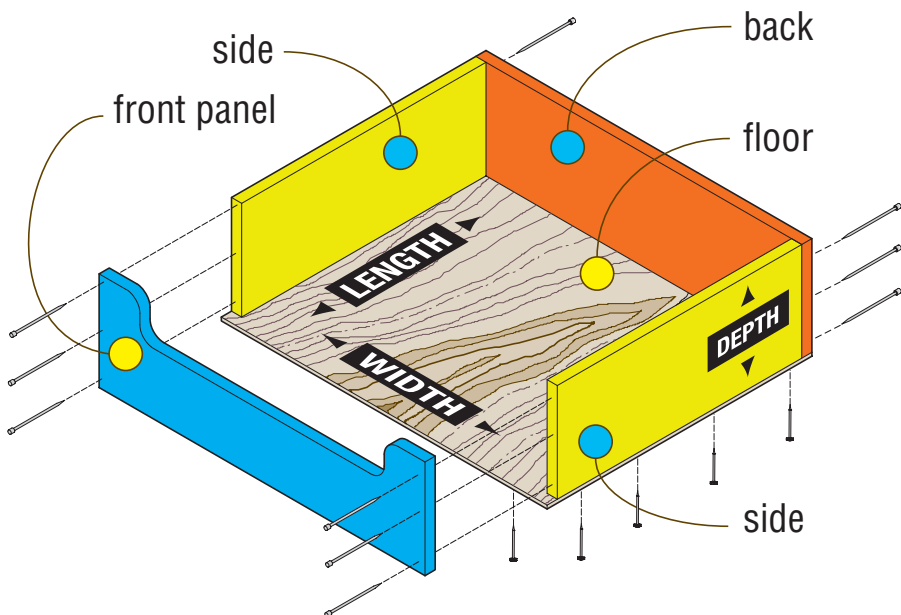
b. Attach the floor of the bed to the sides, front panel, and back using glue and 3d coated sinkers.

Step 3: Complete the finishing touches.

a. Sand the bed and soften any sharp edges on the top of it using 150-grit sandpaper.

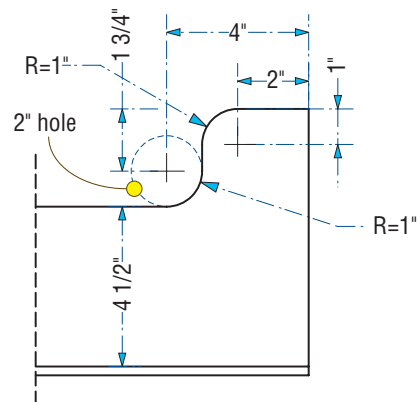
b. Apply a desired finish.

c. When the finish has dried completely, insert a cushion in the color of your choice. (Tip: You also can fold up a large bath towel or small blanket to make a nice easy-to-wash cushion.) ■



Finished Dimensions

Length: 19½ inches
 Width: 24 inches
 Depth: 7½ inches



Front Panel Detail

LOWE'S SHOPPING LIST

Lumber*

- 1 (8-foot-long) 1 x 8, poplar
- 1 (24-inch-square) sheet of ¼-inch-thick birch plywood

*Availability varies by market.

Hardware/Finishing Materials

- 1 box 3d coated sinkers
- 1 box 4d finishing nails
- wood glue
- stainable wood filler
- sandpaper

Paint

- primer
- paint (American Tradition, Spa Green #5004-5C, semi-gloss)

TOOL LIST

- circular saw with straightedge guide (or table saw)
- miter saw (or miter box and handsaw)
- jigsaw
- power sander and various grits of sandpaper
- combination or framing square
- hammer and nail set
- compass
- straightedge
- tape measure
- pencil

CUT LIST

Part Name	Material	Size (in inches)	Quantity
floor	plywood	¼ x 19½ x 24	1
sides	1 x 8	¾ x 7¼ x 18	2
front panel	1 x 8	¾ x 7¼ x 24	1
back	1 x 8	¾ x 7¼ x 24	1