



Dream Kitchens

Designed by Lowe's and Maytag



Approved by Lowe's



Gourmet Kitchen



Maytag® Gourmet Kitchen Appliance Package Options



Side-By-Side Refrigerator Model PSD269LHE

- Electronic Dual Cool™ System
 - Fully Extendable Storage Drawers
 - FreshLock Crisper With Humidity Control
 - Crystal Clear Door Bins With Door Bucket Gripper Pads
- Available In White, Bisque, Black and Stainless Steel

PRICE \$ _____



Gas Slide-In Range Model MGS5870AD

- Convection Oven
 - 12,000-BTU High-Output Power Boost™ Burner
- Available In White, Bisque, Black and Brushed Chrome

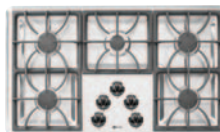
PRICE \$ _____



Electric Slide-In Range Model MESS870AA

- Convection Oven
 - Advanced Cooking™ System
- Available In White, Bisque, Black and Brushed Chrome

PRICE \$ _____



36" Gas Cooktop Model MGC5536BD

- 5 Sealed Surface Burners
 - Porcelain-Enamel Top
- Available In White, Bisque, Black and Stainless Steel

PRICE \$ _____



36" Electric Cooktop Model MEC5536BA

- 5 Insta-Heat™ Radiant Elements
 - 9"/6" Dual Element
- Available In White, Black and Black with Stainless Steel Accents

PRICE \$ _____



30" Double Wall Oven Model MEW6630DD

- EvenAir™ Convection (Upper)
 - Precision Cooking™ System
- Available In White, Bisque, Black and Stainless Steel

PRICE \$ _____

27" Double Wall Oven Model MEW6627DD With Similar Features Is Also Available.



30" Gas Cooktop Model MGC5430BD

- 4 Sealed Surface Burners
 - Porcelain-Enamel Top
- Available In White, Bisque, Black and Stainless Steel

PRICE \$ _____



30" Electric Cooktop Model MEC5430BD

- 4 Insta-Heat™ Radiant Elements
 - 9"/6" Dual Element
- Available In White, Black and Black with Stainless Steel Accents

PRICE \$ _____



30" Single Wall Oven Model MEW6530DD

- EvenAir™ Convection
 - Precision Cooking™ System
- Available In White, Bisque, Black and Stainless Steel

PRICE \$ _____

27" Single Wall Oven Model MEW6527DD With Similar Features Is Also Available.



30" Built-In Microwave Model UMC5200AA

- 2.1 Cu. Ft. Capacity
 - Sensor-Controlled Cooking
- Available In White, Bisque, Black and Stainless Steel

PRICE \$ _____

Optional 30" Trim Kit Model FTK130 Available. Optional 27" Trim Kit Model FTK127 Available.



Over-The-Range Microwave Model MMV5207AA

- 2.0 Cu. Ft. Capacity
 - Sensor-Controlled Cooking
- Available In White, Bisque, Black and Stainless Steel

PRICE \$ _____



Built-In Dishwasher Model MDB8750AW

- Stainless Steel Interior
 - Tall Tub Design With Largest Usable Capacity*
- Available In White, Bisque, Black and Stainless Steel

PRICE \$ _____



36" Kitchen Hood Model UXT5436AD

- 3 Speed Settings
 - Electronic Touch Controls
- Available In White, Bisque, Black and Stainless Steel

PRICE \$ _____

30" Kitchen Hood Model UXT5430AD With Similar Features Is Also Available.



Ol' Lonely®

Chef's Kitchen



Maytag® Chef's Kitchen Appliance Package Options



Side-By-Side Refrigerator Model PSD266LHE

- Electronic Dual Cool™ System
- FreshLock Crisper With Humidity Control
- Crystal Clear Door Bins With Door Bucket Gripper Pads

Available In White, Bisque, Black and Stainless Steel

PRICE \$ _____



Gas Slide-In Range Model MGS5770AD

- Advanced Cooking™ System
- 12,000-BTU High-Output Power Boost™ Burner

Available In White, Bisque, Black and Brushed Chrome

PRICE \$ _____



Electric Slide-In Range Model MESS770AA

- Advanced Cooking™ System
- Glass-Ceramic Cooktop

Available In White, Bisque, Black and Brushed Chrome

PRICE \$ _____



36" Gas Cooktop Model MGC6536BD

- 5 Sealed Surface Burners
- Tempered-Glass Surface

Available In White or Black

PRICE \$ _____



36" Electric Cooktop Model MEC5536BA

- 5 Insta-Heat™ Radiant Elements
- 9"/6" Dual Element

Available In White, Black and Black with Stainless Steel Accents

PRICE \$ _____



30" Double Wall Oven Model MEW5630DD

- Precision Cooking™ System
- 2 Self-Cleaning Ovens

Available In White, Bisque, Black and Stainless Steel

PRICE \$ _____

27" Double Wall Oven Model MEW5627DD With Similar Features Is Also Available.



30" Gas Cooktop Model MGC6430BD

- 4 Sealed Surface Burners
- Tempered-Glass Surface

Available In White or Black

PRICE \$ _____



30" Electric Cooktop Model MEC5430BD

- 4 Insta-Heat™ Radiant Elements
- 9"/6" Dual Element

Available In White, Black and Black with Stainless Steel Accents

PRICE \$ _____



30" Single Wall Oven Model MEW5530DD

- Precision Cooking™ System
- Self-Cleaning Oven

Available In White, Bisque, Black and Stainless Steel

PRICE \$ _____

27" Single Wall Oven Model MEW5527DD With Similar Features Is Also Available.



30" Electric Combo Model MMW5530DD

- Self-Cleaning Oven
- 1,100 Watts (Microwave)
- Sensor-Controlled Cooking (Microwave)

Available In White or Black

PRICE \$ _____



Over-The-Range Microwave Model MMV4205AA

- 2.0 Cu. Ft. Capacity
- Sensor-Controlled Cooking

Available In White, Bisque, Black and Stainless Steel

PRICE \$ _____



Built-In Dishwasher Model MDBTT79AW

- Auto Clean Cycle With Sensor
- Tall Tub Design With Largest Usable Capacity*

Available In White, Bisque, Black and Stainless Steel

PRICE \$ _____



30" Built-In Microwave Model UMC5200AA

- 2.1 Cu. Ft. Capacity
- Auto Defrost

Available In White, Bisque, Black and Stainless Steel

PRICE \$ _____

Shown With Optional 30" Trim Kit Model FTK130. Also Available With Optional 27" Trim Kit Model FTK127.



36" Kitchen Hood Model UXTS236AD

- 3 Speed Settings
- Slide Controls

Available In White, Bisque, Black and Stainless Steel

PRICE \$ _____

30" Kitchen Hood Model UXTS230AD With Similar Features Is Also Available.

Cook's Kitchen



Maytag® Cook's Kitchen Appliance Package Options



**Bottom-Freezer Refrigerator
Model PBF2253HE**

- Factory-Installed Ice Maker
 - FreshLock Crispers With Humidity Control
 - Snack Center Drawer
- Available In White, Bisque and Black*

PRICE \$ _____



**30" Double Wall Oven
Model MEW5630DD**

- Precision Cooking™ System
 - 2 Self-Cleaning Ovens
- Available In White, Bisque, Black and Stainless Steel*

PRICE \$ _____

27" Double Wall Oven Model MEW5627DD With Similar Features Is Also Available.



**30" Single Wall Oven
Model MEW5530DD**

- Precision Cooking™ System
 - Self-Cleaning Oven
- Available In White, Bisque, Black and Stainless Steel*

PRICE \$ _____

27" Single Wall Oven Model MEW5527DD With Similar Features Is Also Available.



**Built-In Dishwasher
Model PDB3600AW**

- High-Pressure Wash System
 - Timer Control With 6 Push Buttons
- Available In White, Bisque and Black*

PRICE \$ _____



**Gas Slide-In Range
Model MGS5770AD**

- Advanced Cooking™ System
 - 12,000-BTU High-Output Power Boost™ Burner
- Available In White, Bisque, Black and Brushed Chrome*

PRICE \$ _____



**36" Gas Cooktop
Model MGC5536BD**

- 5 Sealed Surface Burners
 - Porcelain-Enamel Top
- Available In White, Bisque, Black and Stainless Steel*

PRICE \$ _____



**30" Gas Cooktop
Model MGC5430BD**

- 4 Sealed Surface Burners
 - Porcelain-Enamel Top
- Available In White, Bisque, Black and Stainless Steel*

PRICE \$ _____



**30" Electric Combo
Model MMW5530DD**

- Self-Cleaning Oven
 - 1,100 Watts (Microwave)
 - Sensor-Controlled Cooking (Microwave)
- Available In White or Black*

PRICE \$ _____



**30" Built-In Microwave
Model UMC5200AA**

- 2.1 Cu. Ft. Capacity
 - Auto Defrost
- Available In White, Bisque, Black and Stainless Steel*

PRICE \$ _____

Shown With Optional 30" Trim Kit Model FTK130. Also Available With Optional 27" Trim Kit Model FTK127.



**Electric Slide-In Range
Model MESS770AA**

- Advanced Cooking™ System
 - Glass-Ceramic Cooktop
- Available In White, Bisque, Black and Brushed Chrome*

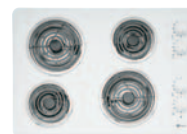
PRICE \$ _____



**36" Electric Cooktop
Model MEC5536BA**

- 5 Insta-Heat™ Radiant Elements
 - 9"/6" Dual Element
- Available In White, Black And Black With Stainless Steel Accents*

PRICE \$ _____



**30" Electric Cooktop
Model MEC4430AA**

- 4 Removable Coil Elements
 - Porcelain-Enamel Top
- Available In White, Bisque and Black*

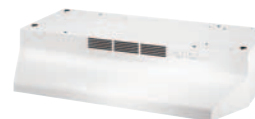
PRICE \$ _____



**Over-The-Range Microwave
Model MMV1153AA**

- 1.5 Cu. Ft. Capacity
 - 1,000 Watts
- Available In White and Black*

PRICE \$ _____



**36" Kitchen Hood
Model UXT2036AA**

- Dual-Speed Fan
 - Light
- Available In White, Bisque, Black and Stainless Steel*

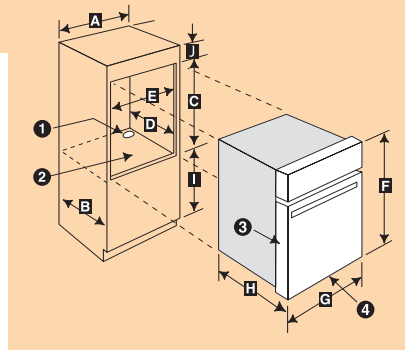
PRICE \$ _____

30" Kitchen Hood Model UXT2030AA With Similar Features Is Also Available.

Maytag® Product Specifications And Dimensions

Maytag® 27" And 30" Single Wall Ovens

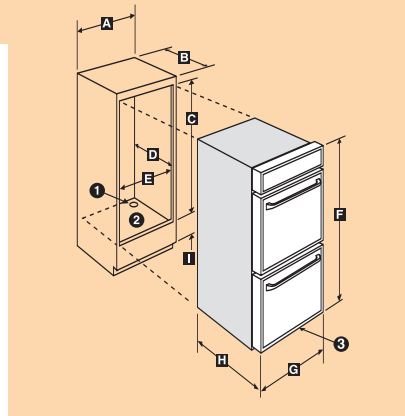
Models	MEW5527 MEW6527	MEW5530 MEW6530
Dimensions — in. (cm)		
A - Width	27 (68.6) min.	30 (76.2) min.
B - Depth	24 (61.0) min.	24 (61.0) min.
Cutout Dimensions — in. (cm)		
C - Height	27 ⁷ / ₁₆ ± 1 ¹ / ₁₆ (69.7 ± .2)	27 ⁷ / ₁₆ (70.8)
D - Width	23 ¹ / ₂ (59.7) min.	24 (61) min.
E - Depth	25 ¹ / ₂ ± 1 ¹ / ₁₆ (64.8 ± .2)	28 ¹ / ₂ (72.4)
Overall Dimensions — in. (cm)		
F - Height	27 ³ / ₄ (70.5)	28 ¹ / ₄ (71.8)
G - Width	26 ³ / ₄ (67.9)	29 ³ / ₄ (75.6)
H - Depth	24 ⁷ / ₁₆ (62.1)	24 ⁷ / ₁₆ (62.1)
I - Bottom Clearance	4 - 33 (10.2 - 83.8)	4 - 33 (10.2 - 83.8)
J - Overhead Clearance	1 (2.54) min.	1 (2.54) min.



- 1 1/4"-diameter conduit access hole.
- Install 3/8" plywood bottom for floor (must support 142 pounds).
- Allow for 1/8" trim overlap on each side.
- Do not block air intake slots along bottom of oven.

Maytag® 27" And 30" Double Wall Ovens

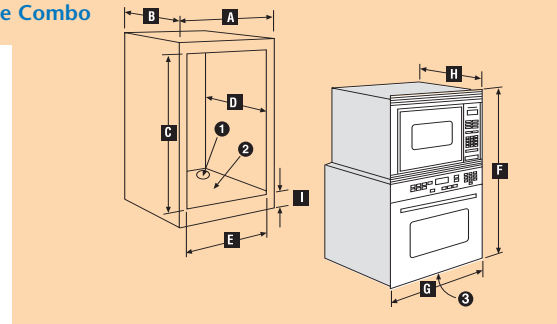
Models	MEW5627 MEW6627	MEW5630 MEW6630
Dimensions — in. (cm)		
A - Width	27 (68.6) min.	30 (76.2) min.
B - Depth	24 (61.0) min.	24 (61.0) min.
Cutout Dimensions — in. (cm)		
C - Height	50 (127.0)	50 (127.0)
D - Width	24 (61)	24 (61)
E - Depth	25 ¹ / ₂ ± 1 ¹ / ₁₆ (64.8 ± .2)	28 ¹ / ₂ (72.4)
Overall Dimensions — in. (cm)		
F - Height	50 ¹ / ₄ (127.6)	50 ¹ / ₄ (127.6)
G - Width	26 ³ / ₄ (68.0)	29 ³ / ₄ (75.6)
H - Depth	24 ⁷ / ₁₆ (62.1)	24 ⁷ / ₁₆ (62.1)
I - Bottom Clearance	4 - 12 (10.2 - 30.5)	4 - 12 (10.2 - 30.5)



- 1 1/4"-diameter conduit access hole.
- Install 3/8" plywood bottom for floor (must support 250 pounds).
- Do not block air intake slots along bottom of oven.

Maytag® 30" Wall Oven And Microwave Combo

Models	MMW5530
Dimensions — in. (cm)	
A - Width	30 (76.2) min.
B - Depth	24 (61.0) min.
Cutout Dimensions — in. (cm)	
C - Height	47 ± 1 ¹ / ₁₆ (119.4 ± .2)
D - Width	24 (61)
E - Depth	28 ¹ / ₂ ± 1 ¹ / ₁₆ (72.4 ± .2)
Overall Dimensions — in. (cm)	
F - Height	47 ⁷ / ₈ (121.6)
G - Width	29 ³ / ₄ (75.6)
H - Depth	24 ⁷ / ₁₆ (62.1)
I - Bottom Clearance	4 - 20 (10.2 - 50.8)



- 1 1/4"-diameter conduit access hole. Hole must be cut as close to corner of cabinet as possible.
- Install 3/8" plywood bottom for floor (must support 250 pounds).
- Do not block air intake slots along bottom of oven.

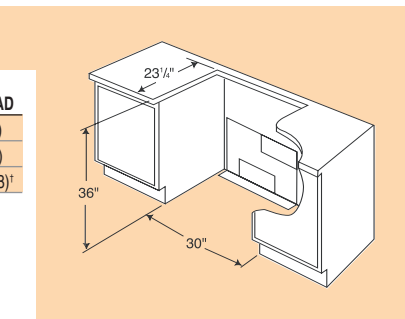
Maytag® 30" Slide-In Ranges

Models	MES5870AA	MGS5870AD	MGS5770AD
Height — in. (cm)	36 (91.4)	36 (91.4)	36 (91.4)
Width — in. (cm)	30 (76.2)	30 (76.2)	30 (76.2)
Depth excluding handle — in. (cm.)	26 ⁷ / ₁₆ (66.8) [†]	26 ⁷ / ₁₆ (66.8) [†]	26 ⁷ / ₁₆ (66.8) [†]

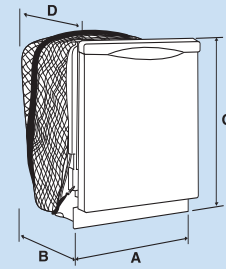
[†] From wall to front of oven door. Add approximately 2" (5.1 cm) for door handle.

Slide-In Range Oven Interior Dimensions:

16¹/₂" H x 23" W x 18¹/₂" D
 (42 cm H x 58 cm W x 46 cm D)



Maytag® Jetclean® II Dishwashers

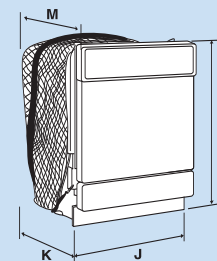


Dishwasher Dimensions	
■	in. (cm)
A	23 ¹ / ₂ (60.6)
B	19 ¹ / ₂ (49.5)
C1	33 ¹ / ₂ (85.1) min. — 35 ¹ / ₂ (89.5) max.
C2	33 ¹ / ₂ (85.7) min. — 35 ¹ / ₂ (89.5) max.
D	27 ⁷ / ₁₆ (60.6)

Note: When installing the dishwasher in or near a corner, allow enough room for the door to open without interfering with any cabinet drawers or hardware.

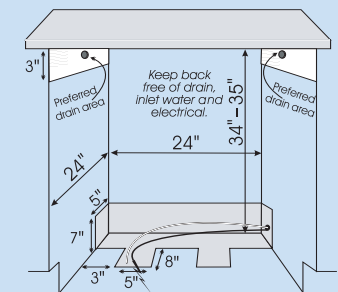
¹Without top trim strip
²With top trim strip

Maytag® Performa® Dishwashers



Dishwasher Dimensions	
■	in. (cm)
J	23 ¹ / ₂ (60.6)
K	24 (61.0)
L	33 ¹ / ₂ (85.7) min. — 35 ¹ / ₂ (89.5) max.
M	27 (68.6)

Note: When installing the dishwasher in or near a corner, allow enough room for the door to open without interfering with any cabinet drawers or hardware.



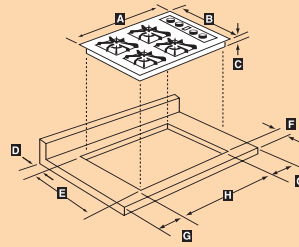
Dishwasher Cabinet Opening

1. Locate preferred drain area.
2. Keep back free of drain, water and electrical supply.
3. Minimum 32" drain loop, minimum 1/2" drain line. Floor drains require a siphon break.
4. Electrical and plumbing should meet all local and national codes.
5. Electrical and water supplies should enter cabinet opening on the floor or through the back or side of walls, as shown in the shaded portion of drawing.
6. Connections preferably located toward left side of dishwasher. Care should be taken to route water and electrical away from motor and blower (if equipped).
7. When dishwasher is installed in or near a corner, allow enough room for the door to open without interfering with cabinet drawers or hardware.

Maytag® Product Specifications And Dimensions

Maytag® 30" And 36" Gas Cooktops

Models	MGC5340	MGC6430	MGC5536	MGC6536
Overall Dimensions — in. (cm)				
A - Width	29 1/2 (74.9)	30 (76.2)	36 (91.4)	36 (91.4)
B - Depth	21 1/8 (54.6)	21 (53.3)	21 (53.3)	21 (53.3)
C - Height	3 9/16 (9.7)	3 9/16 (9.7)	3 9/16 (9.7)	3 9/16 (9.7)
Cutout Dimensions — in. (cm)				
D - Back Countertop Clearance	1 (2.5)	1 (2.5)	1 (2.5)	1 (2.5)
E - Depth	19 9/16 (50.6)	19 9/16 (50.6)	19 9/16 (50.6)	19 9/16 (50.6)
F - Front Countertop Clearance	2 1/8 (5.4)	2 1/8 (5.4)	2 1/8 (5.4)	2 1/8 (5.4)
G - Side Countertop Clearance	6 (15.2)	6 (15.2)	6 (15.2)	6 (15.2)
H - Width	28 1/2 (72.4)	28 1/2 (72.4)	34 1/2 (87.6)	34 1/2 (87.6)



1. Burner box height plus manifold entrance — 5 1/4".
2. Clearance above cooktop — 30°.

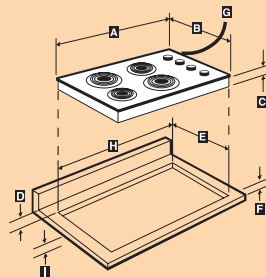
Model	UMC5200
Overall Dimensions — in. (cm)	
Width — in. (cm)	23 7/8 (60.6)
Height — in. (cm)	13 9/16 (34.4)
Depth — in. (cm)	18 13/16 (47.8)
Cavity Dimensions — in. (cm)	
Width — in. (cm)	17 1/16 (43.3)
Height — in. (cm)	10 3/8 (26.4)
Depth — in. (cm)	18 3/8 (46.5)

†Trim Kits

UMC5200 can be used with optional trim kits for built-in installation. For 27" wall oven, use FTK127; installed dimensions are 19 1/8" H x 26 7/8" W. For 30" wall oven, use FTK130; installed dimensions are 19 1/8" H x 29 13/16" W. Do not install above gas wall oven.

Maytag® 30" And 36" Electric Cooktops

Models	MEC4430	MEC5430	MEC5536
Overall Dimensions — in. (cm)			
A - Width	30 (76.2)	29 9/16 (76.0)	35 1/8 (89.7)
B - Depth	21 (53.3)	21 (53.3)	21 (53.3)
C - Height	2 7/8 (115.3)	3 3/4 (115.3)	
Cutout Dimensions — in. (cm)			
D - Back Countertop Clearance	0	0	0
E - Depth	19 9/16 (50.3)	20 3/8 (51.8)	20 3/8 (51.8)
F - Front Countertop Clearance	2 1/8 (5.4)	2 1/8 (5.4)	2 1/8 (5.4)
G - Side Countertop Clearance	0	0	0
H - Width	28 7/8 (71.9)	29 1/16 (73.8)	34 3/8 (87.8)
I - Clearance Below Countertop	3 1/4 (8.3)	4 1/8 (10.5)	4 1/8 (10.5)



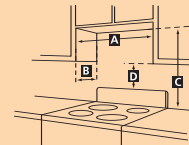
1. Wire leads. 1/2" (1.3 cm) flexible cable, 3' (.91 m) long, furnished and installed by manufacturer (connected to 240-/120-volt electrical service).
2. Plus clearance inside for right-angle conduit and wire.
3. Clearance above cooktop—30°.

Maytag® Built-In Application For UMC5200 Cutout Dimensions

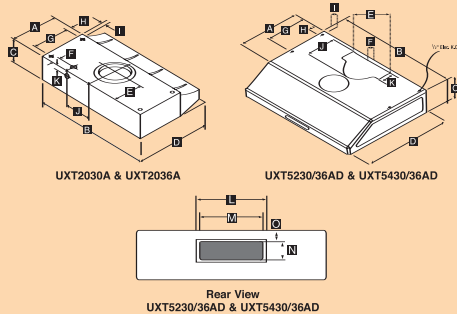
- Opening Width: 25 1/2" (64.8 cm)
- Opening Height: 16 3/4" (42.5 cm)
- Opening Depth: 23 3/4" min. (60.3 cm)
- Floor of Wall Oven Cutout to Floor of Microwave Cutout: 30 7/8" (70.8 cm) min.

Maytag® Over-The-Range Microwave Ovens

- A. Opening Width: 30" (76.2 cm) min.
- B. Opening Depth: 13" (33 cm) min.
- C. Counter to Top of Opening: 30" minimum (76.2 cm) min.
- D. Range Backguard to Bottom of Microwave: 2" (5.1 cm) min.



Maytag™ Kitchen Hoods

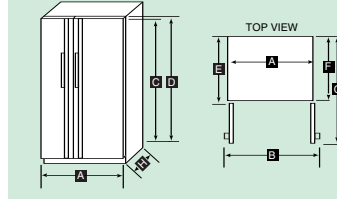


Models	UXT2030AA	UXT2036AD	UXT5430AD	UXT5230AD	UXT5436AD	UXT5236AD
A	12 (30.5)	12 (30.5)	15 3/8 (39.7)	15 3/8 (39.7)	15 3/8 (39.7)	15 3/8 (39.7)
B — Width	30 (76.2)	36 (91.4)	30 (76.2)	30 (76.2)	36 (91.4)	36 (91.4)
C — Height	6 (15.2)	6 (15.2)	6 (15.2)	6 (15.2)	6 (15.2)	6 (15.2)
D — Depth	17 1/2 (44.5)	17 1/2 (44.5)	22 1/4 (56.5)	22 1/4 (56.5)	22 1/4 (56.5)	22 1/4 (56.5)
E	5 1/4 (13.3)	5 1/4 (13.3)	10 1/2 (26.7)	10 1/2 (26.7)	10 1/2 (26.7)	10 1/2 (26.7)
F	2 (5.1)	2 (5.1)	7/8 (2.2)	7/8 (2.2)	7/8 (2.2)	7/8 (2.2)
G	9 (22.9)	9 (22.9)	10 1/4 (26.0)	10 1/4 (26.0)	10 1/4 (26.0)	10 1/4 (26.0)
H	1 1/2 (3.8)	1 1/2 (3.8)	1 3/4 (4.4)	1 3/4 (4.4)	1 3/4 (4.4)	1 3/4 (4.4)
I	1 (2.5)	1 (2.5)	1 (2.5)	1 (2.5)	1 (2.5)	1 (2.5)
J	7 1/2 (19.1)	7 1/2 (19.1)	7 1/2 (19.1)	7 1/2 (19.1)	7 1/2 (19.1)	7 1/2 (19.1)
K	3/4 (1.9)	3/4 (1.9)	3 3/8 (8.6)	3 3/8 (8.6)	3 3/8 (8.6)	3 3/8 (8.6)
L	1 1/2 (3.8)	1 1/2 (3.8)	11 (27.9)	11 (27.9)	11 (27.9)	11 (27.9)
M	—	—	10 (25.4)	10 (25.4)	10 (25.4)	10 (25.4)
N	—	—	3 (7.6)	3 (7.6)	3 (7.6)	3 (7.6)
O	—	—	1/2 (1.3)	1/2 (1.3)	1/2 (1.3)	1/2 (1.3)

All dimensions shown are for planning purposes only. Consult the installation instructions that accompany each product before cutting cabinets or countertops. Because of continuing product improvement, Maytag reserves the right to change specifications without notice.

Maytag® Side-By-Side Refrigerators

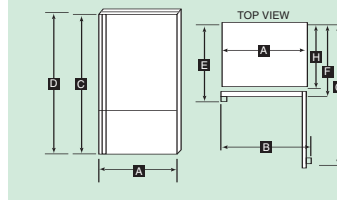
A	35 3/8 (90.5)
B	40 3/4 (103.5)
C	68 1/2 (174)
D	70 (177.8)
E	33 1/4 (84.5)
F	30 3/4 (78.1)
G	49 1/2 (125.7)
H	28 (71.1)
SW	343 (155.6)



- A Width
- B Width With Doors Open 90° Incl. Handles
- C Height Excl. Door Hinge
- D Height Incl. Door Hinge
- E Depth Including Handle
- F Depth Excluding Handle
- G Depth With Doors Open
- H Depth Of Cabinet
- SW Approx. Shipping Weight

Maytag® Bottom-Freezer Refrigerators

A	32 3/8 (82.7)
B	34 (86.4)
C	68 3/8 (174.3)
D	69 1/8 (177.5)
E	31 7/8 (81.0)
F	30 3/4 (78.1)
G	62 (157.5)
H	28 (157.5)
SW	310 (140.6)



- A Width
- B Width With Doors Open 90° Incl. Handles
- C Height Excl. Door Hinge
- D Height Incl. Door Hinge
- E Depth Including Handle
- F Depth Excluding Handle
- G Depth With Doors Open
- H Depth Of Cabinet
- SW Approx. Shipping Weight

LOWE'S SALES ASSOCIATE NAME _____

PHONE NUMBER _____

DATE _____

