



# *Dream*

KITCHENS DESIGNED BY LOWE'S AND JENN-AIR



# Maybe you're the one

who took the time to learn your family's most cherished recipes. Possibly, you're the type of cook who loves experimenting with new ideas and trying the unexpected. Or it may simply be that you've created a home where friends love to gather... to eat, drink and enjoy the conversation.

Regardless of your cooking and entertaining style, the one thing that matters most is enjoying the results. The look. The taste. The texture. All of it, brought together effortlessly by you, with a little help from Jenn-Air. Appliances that combine innovative advancements with time-honored quality and timeless beauty. Designed to bring out the best in every cook.



# GOURMET KITCHEN



## JENN-AIR® GOURMET KITCHEN APPLIANCE PACKAGE OPTIONS



### SIDE-BY-SIDE REFRIGERATOR MODEL JCD2290HE

- Twin Fresh™ Electronic Controls
- ChillKeeper™ Door Compartment

Available In White, Bisque, Black and Stainless Steel

PRICE \$ \_\_\_\_\_

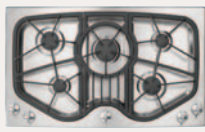


### 33" DOWNDRAFT GAS COOKTOP MODEL CVGX2423B

- PermaVent™ Downdraft Ventilation
- Countertop Or Island/Peninsula Installation

Available In White and Black

PRICE \$ \_\_\_\_\_



### 36" GAS COOKTOP MODEL JGC8536BD

- 6 Sealed Gas Burners
- 12,000-BTU High-Output Burner
- Flame-Sensing™ Reignition
- Continuous Burner Grates

Available In White, Bisque, Black and Stainless Steel

PRICE \$ \_\_\_\_\_



### 30" GAS COOKTOP MODEL JGC8430BD

- 12,000-BTU High-Output Burner
- Flame-Sensing™ Reignition
- Continuous Burner Grates

Available In White, Bisque, Black and Stainless Steel

PRICE \$ \_\_\_\_\_



### DOWNDRAFT DUAL FUEL SLIDE-IN GAS RANGE MODEL JDS9860AA

- Gas Cooktop With Electric Oven
- Downdraft Ventilation
- Two-Speed Convection Oven

Available In Stainless Steel Only

PRICE \$ \_\_\_\_\_



### SLIDE-IN GAS RANGE MODEL JGS8850AD

- Single-Speed Convection Oven
- 12,000-BTU High-Output Burner

Available In White, Bisque, Black and Stainless Steel with Black Accents

PRICE \$ \_\_\_\_\_



### 30" DOUBLE WALL OVEN MODEL JJW9230DD

- Two-Mode Convection
- Auto Convection Conversion

Available In White, Bisque, Black and Stainless Steel

PRICE \$ \_\_\_\_\_



### 36" ELECTRIC COOKTOP MODEL JEC8536AD

- Glass-Ceramic Cooking Surface
- 11"/6" Custom Choice™ Oval Dual Element

Available In Pearl White, Frosted White, Natural Bisque, Black and Black with Stainless Steel Accents

PRICE \$ \_\_\_\_\_



### 30" DOWNDRAFT ELECTRIC COOKTOP MODEL JED8430AD

- Glass-Ceramic Cooking Surface
- Custom Choice™ Dual Radiant Element

Available In Pearl White, Textured White, Natural Bisque, Black and Textured Black

PRICE \$ \_\_\_\_\_



### 30" ELECTRIC COOKTOP MODEL JEC8430AD

- Glass-Ceramic Cooking Surface
- 9"/6" Custom Choice™ Element

Available In Pearl White, Frosted White, Natural Bisque, Black and Black with Stainless Steel Accents

PRICE \$ \_\_\_\_\_



### DOWNDRAFT SLIDE-IN ELECTRIC RANGE MODEL JES9800AA

- Downdraft Ventilation
- Two-Speed Convection Oven
- Glass-Ceramic Cooking Surface

Available In White, Bisque, Black and Stainless Steel with Black Accents

PRICE \$ \_\_\_\_\_



### SLIDE-IN ELECTRIC RANGE MODEL JES8850AA

- Two-Speed Convection Oven
- Glass-Ceramic Cooking Surface

Available In White, Bisque, Black and Stainless Steel with Black Accents

PRICE \$ \_\_\_\_\_



### 30" SINGLE WALL OVEN MODEL JJW9130DD

- Two-Mode Convection
- Auto Convection Conversion

Available In White, Bisque, Black and Stainless Steel

PRICE \$ \_\_\_\_\_



### BUILT-IN DISHWASHER MODEL JDB1080AW

- 2 Dishwasher Racks For Maximum Loading Capacity
- Ultra Clean Wash System

Available In White, Bisque, Black and Stainless Steel with Black Accents

PRICE \$ \_\_\_\_\_



### 30" BUILT-IN MICROWAVE OVEN MODEL JMC9158AD

- 1.5 Cu. Ft. Capacity
- Auto Sensor Microwaving

Available In White, Bisque, Black and Stainless Steel

PRICE \$ \_\_\_\_\_

Optional 30" trim kit available (AST2780). Optional 27" trim kit available (AST3080).



### OVER-THE-RANGE MICROWAVE OVEN MODEL JMV8208AA

- 2.0 Cu. Ft. Capacity
- WideGlide™ Tray
- Auto Sensor Microwaving
- Halogen Cooktop Lighting

Available In White, Bisque, Black and Stainless Steel

PRICE \$ \_\_\_\_\_



### 36" KITCHEN HOOD MODEL UXT5436AD

- Electronic Touch Controls
- Dual Halogen Lighting With Night Light

Available In White, Bisque, Black and Stainless Steel

PRICE \$ \_\_\_\_\_

30" Kitchen Hood with similar features also available (Model UXT5430AD).

# CHEF'S KITCHEN



## JENN-AIR® CHEF'S KITCHEN APPLIANCE PACKAGE OPTIONS



### SIDE-BY-SIDE REFRIGERATOR MODEL JCD2290HE

- Twin Fresh™ Electronic Controls
- ChillKeeper™ Door Compartment

Available In White, Bisque, Black and Stainless Steel

PRICE \$ \_\_\_\_\_



### 30" DOWNDRAFT GAS COOKTOP MODEL JGD8130AD

- Excalibur® Nonstick Grill
- Grate Finish
- E-ven Heat™ Gas Grill
- E-ven Heat™ Gas Grill
- Downdraft Ventilation

Available In White, Black and Stainless Steel

PRICE \$ \_\_\_\_\_



### 36" GAS COOKTOP MODEL JGC8536BD

- 6 Sealed Gas Burners
- 12,000-BTU High-Output Burner
- Flame-Sensing™ Reignition
- Continuous Burner Grates

Available In White, Bisque, Black and Stainless Steel

PRICE \$ \_\_\_\_\_



### 30" GAS COOKTOP MODEL JGC8430BD

- 12,000-BTU High-Output Burner
- Flame-Sensing™ Reignition
- Continuous Burner Grates

Available In White, Bisque, Black and Stainless Steel

PRICE \$ \_\_\_\_\_



### DOWNDRAFT DUAL FUEL SLIDE-IN GAS RANGE MODEL JDS9860AA

- Gas Cooktop With Electric Oven
- Downdraft Ventilation
- Two-Speed Convection Oven

Available In White and Black

PRICE \$ \_\_\_\_\_



### SLIDE-IN GAS RANGE MODEL JGS8750AD

- 12,000-BTU High-Output Burner
- Even-Oven™ Electric Element

Available In White, Black and Stainless Steel with Black Accents

PRICE \$ \_\_\_\_\_



### 30" DOUBLE WALL OVEN MODEL JJW8230DD

- Cook & Hold Setting
- Keep Warm Setting

Available In White, Bisque, Black and Stainless Steel

PRICE \$ \_\_\_\_\_

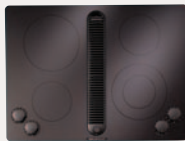


### 36" ELECTRIC COOKTOP MODEL JEC8536AD

- Glass-Ceramic Cooking Surface
- 11"/6" Custom Choice™ Oval Dual Element

Available In Pearl White, Frosted White, Natural Bisque, Black and Black with Stainless Steel Accents

PRICE \$ \_\_\_\_\_

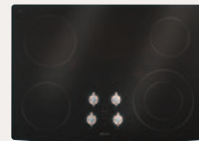


### 30" DOWNDRAFT ELECTRIC COOKTOP MODEL JED8430AD

- Glass-Ceramic Cooking Surface
- Custom Choice™ Dual Radiant Element

Available In Pearl White, Textured Bisque and Textured Black

PRICE \$ \_\_\_\_\_



### 30" ELECTRIC COOKTOP MODEL JEC8430AD

- Glass-Ceramic Cooking Surface
- 9"/6" Custom Choice™ Element

Available In Pearl White, Frosted White, Natural Bisque, Black and Black with Stainless Steel Accents

PRICE \$ \_\_\_\_\_



### DOWNDRAFT SLIDE-IN ELECTRIC RANGE MODEL JES97500AA

- Accepts Optional Cartridges
- Two-Speed Ventilation Fan

Available In White, Black and Stainless Steel with Black Accents

PRICE \$ \_\_\_\_\_



### SLIDE-IN ELECTRIC RANGE MODEL JES8750AA

- Glass-Ceramic Cooking Surface
- 12"/9" Custom Choice™ Element

Available In White and Black

PRICE \$ \_\_\_\_\_



### 30" SINGLE WALL OVEN MODEL JJW8130DD

- Cook & Hold Setting
- Keep Warm Setting

Available In White, Bisque, Black and Stainless Steel

PRICE \$ \_\_\_\_\_



### BUILT-IN DISHWASHER MODEL JDB1080AW

- 2 Dishwasher Racks For Maximum Loading Capacity
- Ultra Clean Wash System

Available In White, Bisque, Black and Stainless Steel with Black Accents

PRICE \$ \_\_\_\_\_



### 30" BUILT-IN MICROWAVE OVEN MODEL UMC5200

- 2.1 Cu. Ft. Capacity

Available In White, Bisque, Black and Stainless Steel

PRICE \$ \_\_\_\_\_

Shown with optional 30" trim kit (FTK130). Optional 27" trim kit also available (FTK127).



### OVER-THE-RANGE MICROWAVE OVEN MODEL JMV8208AA

- 2.0 Cu. Ft. Capacity
- WideGlide™ Tray
- Auto Sensor Microwaving
- Halogen Cooktop Lighting

Available In White, Bisque, Black and Stainless Steel

PRICE \$ \_\_\_\_\_



### 36" KITCHEN HOOD MODEL UXT5236AD

- Slide Controls
- Dual Incandescent Lighting

Available In White, Bisque, Black and Stainless Steel

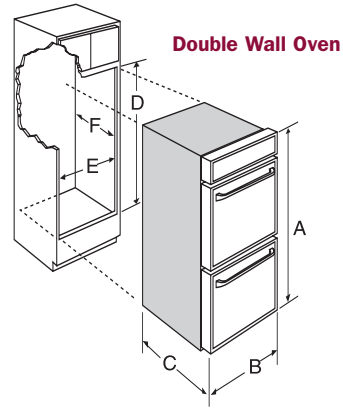
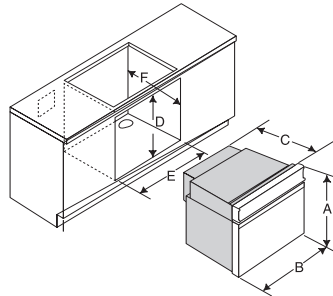
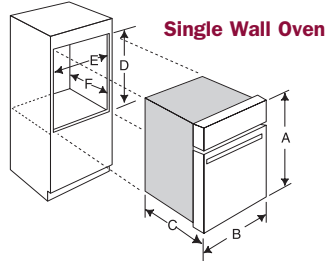
PRICE \$ \_\_\_\_\_

30" Kitchen Hood with similar features also available (Model UXT5230AD).

# Jenn-Air® Product Specifications And Dimensions

## Jenn-Air® 30" Single and Double Wall Ovens

Models	JJW8130	JJW9130	JJW8230	JJW9230
A. Overall Height (in./cm)	28 <sup>1</sup> / <sub>2</sub> / 71.8	28 <sup>1</sup> / <sub>2</sub> / 71.8	50 <sup>1</sup> / <sub>4</sub> / 127.6	50 <sup>1</sup> / <sub>4</sub> / 127.6
B. Overall Width (in./cm)	29 <sup>3</sup> / <sub>4</sub> / 75.6	29 <sup>3</sup> / <sub>4</sub> / 75.6	29 <sup>3</sup> / <sub>4</sub> / 75.6	29 <sup>3</sup> / <sub>4</sub> / 75.6
C. Overall Depth Excluding Handle (in./cm)	24 <sup>7</sup> / <sub>16</sub> / 62.1	24 <sup>7</sup> / <sub>16</sub> / 62.1	24 <sup>7</sup> / <sub>16</sub> / 62.1	24 <sup>7</sup> / <sub>16</sub> / 62.1
D. Cutout Height (in./cm)	27 <sup>7</sup> / <sub>8</sub> / 70.8	27 <sup>7</sup> / <sub>8</sub> / 70.8	50 / 127.0	50 / 127.0
E. Cutout Width (in./cm)	28 <sup>1</sup> / <sub>2</sub> / 72.4	28 <sup>1</sup> / <sub>2</sub> / 72.4	28 <sup>1</sup> / <sub>2</sub> / 72.4	28 <sup>1</sup> / <sub>2</sub> / 72.4
F. Cutout Depth Excluding Handle (in./cm)	24 / 61.0	24 / 61.0	24 / 61.0	24 / 61.0



Single Wall Oven – Under Counter Installation

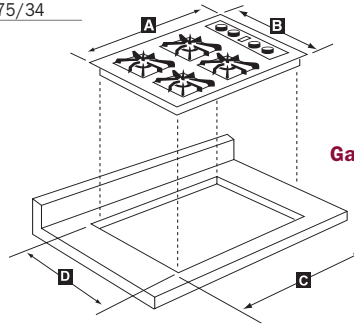
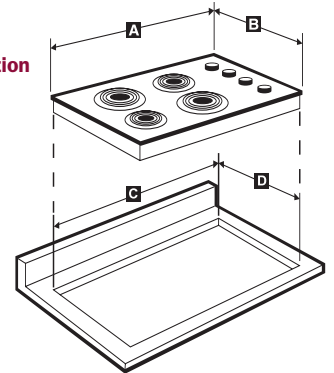
**IMPORTANT:** Cutout dimensions are critical. Refer to installation instructions packaged with product BEFORE making cutouts.

## Jenn-Air® 36" and 30" Gas and Electric Cooktops

MODELS	JGD8130	JGC8430	JGC8536	CVGX2423
A. Overall Width (in.)	30	30	36	34 <sup>1</sup> / <sub>8</sub>
B. Overall Depth (in.)	21 <sup>3</sup> / <sub>4</sub>	21 <sup>3</sup> / <sub>4</sub>	21 <sup>9</sup> / <sub>16</sub>	21 <sup>1</sup> / <sub>8</sub>
C. Cutout Width (in.)	29	28 <sup>3</sup> / <sub>4</sub>	34 <sup>7</sup> / <sub>8</sub>	33 <sup>5</sup> / <sub>8</sub> ± 1 <sup>1</sup> / <sub>16</sub>
D. Cutout Depth (in.)	21	20 <sup>5</sup> / <sub>8</sub>	20 <sup>13</sup> / <sub>16</sub>	20 <sup>9</sup> / <sub>16</sub> ± 1 <sup>1</sup> / <sub>16</sub>
Blower Assembly Clearance (below countertop)	13 <sup>13</sup> / <sub>16</sub>	—	—	17 <sup>1</sup> / <sub>2</sub> Min.
Total Connected Load KW	0.45	0.01	0.01	0.45
Downdraft Ventilation	•	•	•	•
Approximate Crated Weight (lbs./kg)	76/34	48/22	72/31	75/34

MODELS	JED8430	JEC8430	JEC8536
A. Overall Width (in.)	29 <sup>3</sup> / <sub>4</sub>	29 <sup>15</sup> / <sub>16</sub>	35 <sup>5</sup> / <sub>16</sub>
B. Overall Depth (in.)	22	21 <sup>1</sup> / <sub>2</sub>	21 <sup>1</sup> / <sub>2</sub>
C. Cutout Width (in.)	28 <sup>7</sup> / <sub>8</sub>	29 <sup>1</sup> / <sub>16</sub>	34 <sup>9</sup> / <sub>16</sub>
D. Cutout Depth (in.)	21 <sup>1</sup> / <sub>8</sub>	20 <sup>3</sup> / <sub>8</sub>	20 <sup>3</sup> / <sub>8</sub>
Blower Assembly Clearance (below countertop)	17 <sup>1</sup> / <sub>2</sub>	—	—
Total Connected Load KW	7.0	7.4	8.4
Downdraft Ventilation	•	•	•
May Be Installed Above Wall Oven	•	•	•
Approximate Crated Weight (lbs./kg)	61/28	45/20	57/26

Electric Cooktop Installation



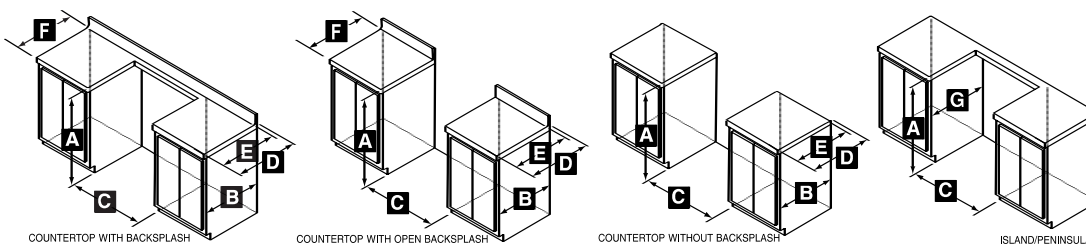
Gas Cooktop Installation

**IMPORTANT:** Cutout dimensions are critical. Refer to installation instructions packaged with product BEFORE making cutouts.

## Jenn-Air® Gas and Electric Slide-In Ranges

MODELS	JES8750	JES8850	JES9750	JES9800	JGS8750	JGS8850	JDS9860
Overall Height (in.)	35 <sup>3</sup> / <sub>4</sub> - 36 <sup>7</sup> / <sub>16</sub>	35 <sup>3</sup> / <sub>4</sub> - 36 <sup>7</sup> / <sub>16</sub>	35 <sup>3</sup> / <sub>4</sub> - 36 <sup>7</sup> / <sub>16</sub>	35 <sup>3</sup> / <sub>4</sub> - 36 <sup>7</sup> / <sub>16</sub>	35 <sup>3</sup> / <sub>4</sub> - 36 <sup>7</sup> / <sub>16</sub>	35 <sup>3</sup> / <sub>4</sub> - 36 <sup>7</sup> / <sub>16</sub>	35 <sup>3</sup> / <sub>4</sub> - 36 <sup>7</sup> / <sub>16</sub>
Overall Width (in.)	30 <sup>3</sup> / <sub>4</sub>	30 <sup>3</sup> / <sub>4</sub>	30 <sup>3</sup> / <sub>4</sub>	30 <sup>3</sup> / <sub>4</sub>	30 <sup>3</sup> / <sub>4</sub>	30 <sup>3</sup> / <sub>4</sub>	30 <sup>3</sup> / <sub>4</sub>
Overall Depth (in.)	26 <sup>3</sup> / <sub>16</sub>	26 <sup>3</sup> / <sub>16</sub>	26 <sup>3</sup> / <sub>16</sub>	26 <sup>3</sup> / <sub>16</sub>	26 <sup>3</sup> / <sub>16</sub>	26 <sup>3</sup> / <sub>16</sub>	26 <sup>3</sup> / <sub>16</sub>
Total Connected Load KW	11.0	11.0	11.0	11.0	11.0	11.0	5.8
Downdraft Ventilation	•	•	•	•	•	•	•
Accepts Optional Backsplash And Side Panel	•	•	•	•	•	•	•
Free-Standing Installation	•	•	•	•	•	•	•
Approximate Crated Weight (lbs./kg)	190/86	190/86	216/98	216/98	220/100	220/100	216/98

### Typical Slide-In Range Installations



Slide-In Ranges

A <sup>1</sup>	36
B	24
C	30
D	25
E <sup>2</sup>	23 <sup>5</sup> / <sub>8</sub>
F <sup>3</sup>	23 <sup>1</sup> / <sub>4</sub>
G	25 max.

**NOTES:**

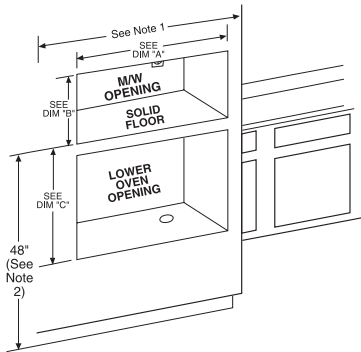
1. Before attempting installation, adjust range leveling legs to accommodate this dimension.
2. Minimum flat area.
3. Cut depth exceeds 23 1/2" use filler kit K70FILL

All dimensions shown are for planning purposes only. Consult the installation instructions that accompany each product before cutting cabinets or countertops. Because of continuing product improvement, Jenn-Air reserves the right to change specifications without notice.

# Jenn-Air® Product Specifications And Dimensions

## Jenn-Air® Built-In Microwave Ovens

Models	JMC9158	UMC5200
Overall Width (in.)	22 <sup>7</sup> / <sub>8</sub>	23 <sup>7</sup> / <sub>8</sub>
Overall Height (in.)	14 <sup>7</sup> / <sub>8</sub>	13 <sup>9</sup> / <sub>16</sub>
Overall Depth (in.)	20	18 <sup>13</sup> / <sub>16</sub>
Cavity Width (in.)	15 <sup>1</sup> / <sub>4</sub>	17 <sup>1</sup> / <sub>16</sub>
Cavity Height (in.)	10 <sup>7</sup> / <sub>8</sub>	10 <sup>3</sup> / <sub>8</sub>
Cavity Depth (in.)	15 <sup>1</sup> / <sub>4</sub>	18 <sup>5</sup> / <sub>8</sub>
Approximate Weight (lbs./kg)	59/27	46/20.9



**JMC9158/UMC5200 Microwave Oven Installation Above Single Electric Wall Oven**

1. When installing this Kit above a built-in oven, check built-in oven installation instructions to determine cutout dimensions for the (lower) wall oven.

2. For a new installation, the 48" height dimension to the bottom of the cutout for the microwave oven is recommended. This places the microwave oven bottom at approximately 50" from the floor.

TRIM KIT	Dim "A"	Dim "B"	Dim "C"
FTK127	26 <sup>7</sup> / <sub>8</sub>	19 <sup>1</sup> / <sub>8</sub>	30 <sup>1</sup> / <sub>2</sub> min.
FTK130	29 <sup>13</sup> / <sub>16</sub>	19 <sup>1</sup> / <sub>8</sub>	30 <sup>1</sup> / <sub>2</sub> min.
AST2780	25 <sup>1</sup> / <sub>2</sub>	17 <sup>1</sup> / <sub>4</sub>	30 <sup>1</sup> / <sub>2</sub> min.
AST3080	28 <sup>1</sup> / <sub>2</sub>	17 <sup>1</sup> / <sub>4</sub>	30 <sup>1</sup> / <sub>2</sub> min.

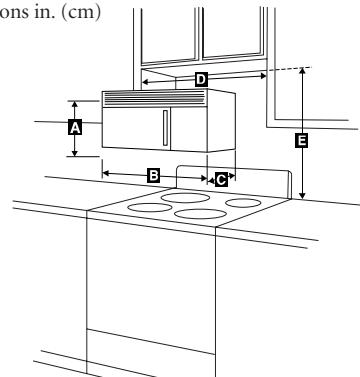
## Jenn-Air® Over-the-Range Microwave Oven

Model	JMV8208
Overall Width (in.)	29 <sup>15</sup> / <sub>16</sub>
Overall Height (in.)	16 <sup>7</sup> / <sub>16</sub>
Overall Depth (in.)	15 <sup>5</sup> / <sub>8</sub>
Cavity Width (in.)	22 <sup>1</sup> / <sub>8</sub>
Cavity Height (in.)	9 <sup>1</sup> / <sub>8</sub>
Cavity Depth (in.)	14 <sup>7</sup> / <sub>16</sub>
Approximate Weight (lbs./kg)	60/27

Three-pronged plug must be connected to a properly grounded outlet.

Cutout Dimensions in. (cm)

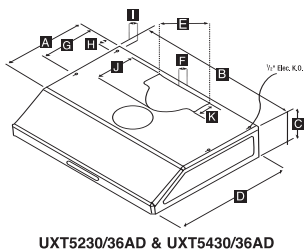
- A. 16-7/16 (41.8)
- B. 29-15/16 (76.0)
- C. 15-5/8 (39.7)
- D. 30 (76.2)
- E. 30 (76.2)



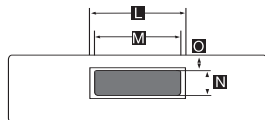
## Jenn-Air® Kitchen Ventilation

Models	UXT5430AD UXT5230AD	UXT5436AD UXT5236AD
A	15 3/4 (39.7)	15 3/4 (39.7)
B — Width	30 (76.2)	36 (91.4)
C — Height	6 (15.2)	6 (15.2)
D — Depth	22 1/4 (56.5)	22 1/4 (56.5)
E	10 1/2 (26.7)	10 1/2 (26.7)
F	3/8 (2.2)	3/8 (2.2)
G	10 1/4 (26.0)	10 1/4 (26.0)
H	1 3/4 (4.4)	1 3/4 (4.4)
I	1 (2.5)	1 (2.5)
J	7 1/2 (19.1)	7 1/4 (18.4)
K	3 3/8 (8.6)	3 3/8 (8.6)
L	11 (27.9)	11 (27.9)
M	10 (25.4)	10 (25.4)
N	3 (7.6)	3 (7.6)
O	1/2 (1.3)	1/2 (1.3)

**NOTE:** Ducting configuration and length can affect airflow rates. Ratings are based on kitchen hoods with correctly installed ducting.



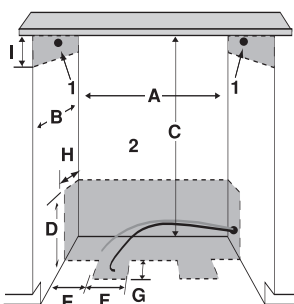
**UXT5230/36AD & UXT5430/36AD**



**Rear View  
UXT5230/36AD & UXT5430/36AD**



## Jenn-Air® Built-In Dishwasher



Model	JDB1080
A	24
B	24
C	34-35
D	7
E	3
F	5
G	8
H	5
I	3
J	23 <sup>7</sup> / <sub>8</sub>
K <sup>8</sup>	22 <sup>1</sup> / <sub>2</sub>
L <sup>9</sup>	23 <sup>7</sup> / <sub>8</sub>
M	19 <sup>1</sup> / <sub>2</sub>
N	33 <sup>1</sup> / <sub>2</sub> min. - 35 max
O <sup>10</sup>	23 <sup>7</sup> / <sub>8</sub>

**Notes:**

1. Preferred drain area.
2. Keep back free of drain, water and electrical supply.
3. Minimum 32" drain loop, 1/2" I.D. (Inside Diameter) minimum. Floor drains require a siphon break.
4. Electrical and plumbing should meet all local and national codes.
5. Electrical and water supplies should enter cabinet opening on the floor, or through the back or side walls, as shown in the shaded portion of the drawing.
6. Connections preferably located toward left side of dishwasher. Care should be taken to route water and electrical away from motor and blower (if equipped).
7. When installing dishwasher in or near a corner, allow enough room for door to open without interfering with cabinet drawers or hardware.
8. Recommended location of counter top edge is 24" for optimum viewing of upswep controls.
9. Add 1 1/4" to depth for Pro-Style/E model timer dial.
10. Product Width.

**IMPORTANT:** All dimensions shown are for planning purposes only. Consult the installation instructions that accompany each product before cutting cabinets or countertops. Because of continuing product improvement, Jenn-Air reserves the right to change specifications without notice.



LOWE'S SALES ASSOCIATE NAME

PHONE NUMBER

DATE