



Dream Kitchens

Designed by Lowe's and Fisher & Paykel





Fisher & Paykel Gourmet Kitchen Appliance Package Options



Active Smart™ Refrigerator
Models E522BRX – right hinge (shown)
and E522BLX – left hinge

- 17.3 cu.ft capacity
- EZKleen finish enables marks to be wiped away easily
- 4 toughened adjustable glass shelves
- Fully adjustable door shelves
- Sabbath Mode

Available in Brushed stainless steel

PRICE \$ _____



Rangehood
Model RH361SS

- 3x20 Halogen light bulbs
- Electronic controls for light and speed selection
- Dishwasher safe Micro mesh filters
- In-line centrifugal 3-speed motor with computer balanced blades and twin intakes

Available in Brushed stainless steel

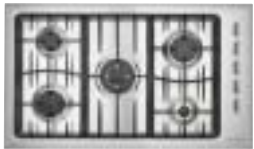
PRICE \$ _____

Gas Cooktop
Model GC912SS

- Porcelainized cast iron grates provide a continuous work surface
- Sealed cooking surface
- Side control knobs for increased safety
- Height above countertop only 5/8"
- High power – 500 to 14,000 btu

Available in Brushed stainless steel

PRICE \$ _____



AeroTech® Single Oven
Model OS302SS

- 4-way airflow ensures the most even cooking performance
- 10 professional cooking modes
- Ultimate flexibility with 13 shelf positions
- 3.5 cu ft of usable space, 4.0 cu ft of total space

Available in Brushed stainless steel

PRICE \$ _____



AeroTech® Double Oven
Model OD302SS

- 4-way airflow ensures the most even cooking performance
- 10 professional cooking modes
- Ultimate flexibility with 13 shelf positions
- 3.5 cu ft of usable space, 4.0 cu ft of total space per cavity

Available in Brushed stainless steel

PRICE \$ _____

Electric Cooktop
Model CE901SS

- Unique Hot light/On light
- Ceran glass cooking surface designed to hold a 1/2 gallon spill
- Side control knobs for increased safety
- Height above countertop only 5/8"
- High power – 55 to 2500 W

Available in Brushed stainless steel

PRICE \$ _____



Single DishDrawer®
Model DS603

- The ultimate in kitchen design flexibility
- The first dishwasher with variable water pressures
- Uses as little as 2 gallons of water
- Accommodates 6 place settings
- Very quiet operation at 4.6 Sones

Available in Brushed stainless steel (DS603SS), Black (DS603B) and White (DS603W)

PRICE \$ _____

Shown in Brushed stainless steel



Double DishDrawer®
Model DD603

Shown in Brushed stainless steel



- Two dishwashers in one
- The first dishwasher with variable water pressures
- Uses as little as 2 gallons of water per drawer
- Accommodates 6 place settings per drawer
- Very quiet operation at 4.6 Sones

Available in Brushed stainless steel, (DD603SS), Black (DD603B) and White (DD603W)

PRICE \$ _____

Gas Cooktop
Model GC36

- Porcelainized cast iron grates provide a continuous work surface
- Sealed cooking surface
- Side control knobs for increased safety
- Depth below countertop only 1 5/8"
- Unique center oblong burner accommodates large pots, pans and griddles

Available in Brushed stainless steel

PRICE \$ _____

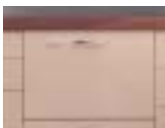


Single Integrated DishDrawer®
Model DS603I

- The ultimate in kitchen design flexibility
- The first dishwasher with variable water pressures
- Uses as little as 2 gallons of water
- Accommodates 6 place settings
- Very quiet operation at 4.6 Sones

Available in Integrated

PRICE \$ _____



Double Integrated DishDrawer®
Model DD603I

- Two dishwashers in one
- The first dishwasher with variable water pressures
- Uses as little as 2 gallons of water per drawer
- Accommodates 6 place settings per drawer
- Very quiet operation at 4.6 Sones

Available in Integrated

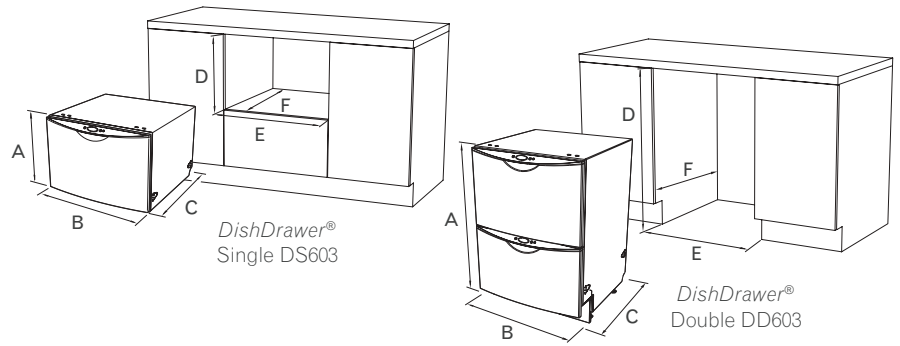
PRICE \$ _____



Fisher & Paykel Product Specifications and Dimensions

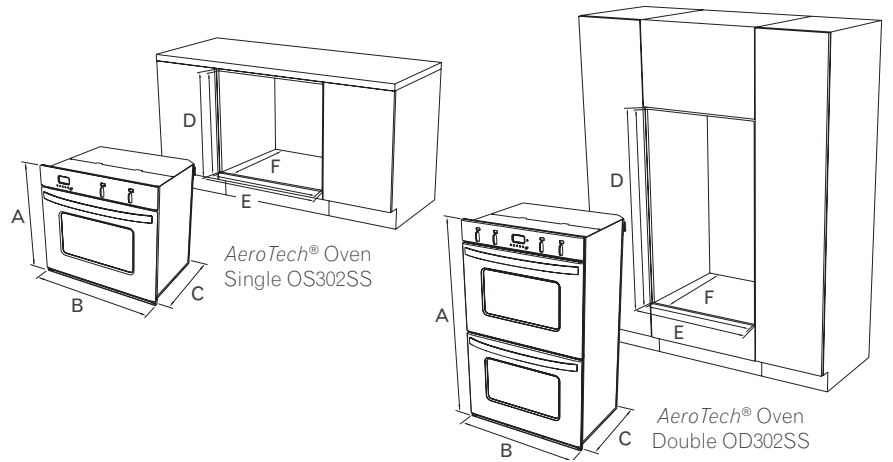
DishDrawer®

Model	DS603 Single	DD603 Double
Product Dimensions (inches)		
A overall height of product	16 ³ / ₃₂	32 ¹ / ₄ - 34 ⁵ / ₈
B overall width of product	23 ⁷ / ₁₆	23 ⁷ / ₁₆
C overall depth of product	22 ⁷ / ₁₆	22 ⁷ / ₁₆
Cabinetry Dimensions (inches)		
D inside height of cabinet	16 ⁷ / ₃₂	32 ³ / ₈ - 34 ³ / ₄
E inside width of cabinet	23 ⁵ / ₈	23 ⁵ / ₈
F inside depth of cabinet	22 ⁷ / ₈	22 ⁷ / ₈



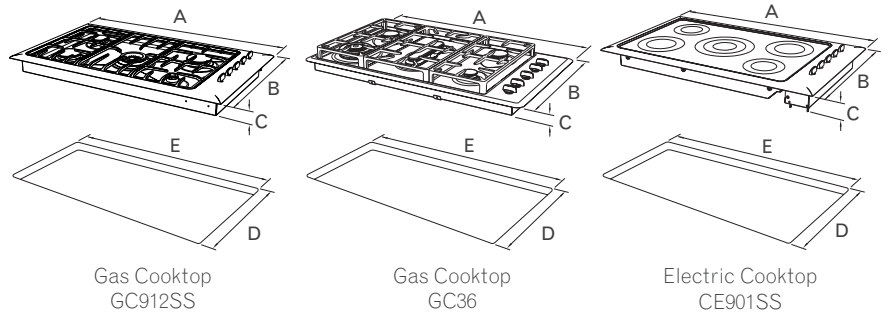
AeroTech® Oven

Model	OS302SS Single	OD302SS Double
Product Dimensions (inches)		
A overall height of product	27 ¹ / ₁₆	48 ⁷ / ₁₆
B overall width of product	29 ³ / ₄	29 ³ / ₄
C overall depth of product	22 ⁷ / ₁₆	22 ⁷ / ₁₆
Cabinetry Dimensions (inches)		
D inside height of cabinet	26 ¹³ / ₁₆ proud 27 ⁵ / ₁₆ recessed	48 ¹ / ₈ proud 48 ⁵ / ₈ recessed
E inside width of cabinet	28 ¹ / ₂ proud 30 recessed	28 ¹ / ₂ proud 30 recessed
F inside depth of cabinet	22 ⁵ / ₈ proud 23 ⁷ / ₁₆ recessed	22 ⁵ / ₈ proud 23 ⁷ / ₁₆ recessed



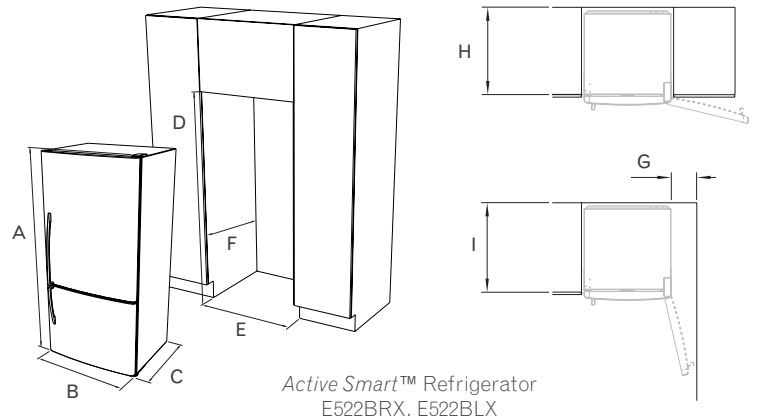
Cooktops

Model	GC912SS Gas	GC36 Gas	CE901SS Electric
Product Dimensions (inches)			
A overall width of product	36	36	36
B overall depth of product	21 ¹ / ₂	21	21 ¹ / ₂
C overall height of product	2 ⁹ / ₁₆	1 ⁵ / ₈	3 ¹ / ₈
Cabinetry Dimensions (inches)			
D overall depth of cutout	19 ¹ / ₂	19 ¹ / ₂	19 ¹ / ₂
E overall width of cutout	34 ¹ / ₄	34 ¹ / ₄	34 ¹ / ₄



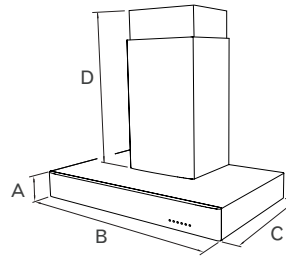
Active Smart™ Refrigerators

Model	E522BRX E522BLX
Product Dimensions (inches)	
A overall height of product	66 ³ / ₄
B overall width of product	31 ¹ / ₈
C overall depth of product (without handle)	27 ³ / ₄
Cabinetry Dimensions (including minimum air clearance of 2" on top, 3/4" each side and 3/4" at rear)	
D inside height of cabinet	68 ³ / ₄
E inside width of cabinet	32 ³ / ₄
F inside depth of cabinet (without handle)	28 ⁷ / ₈
G clearance to adjacent wall (to get freezer baskets out)	5 ¹ / ₂
H depth of cavity (flush with cabinet)	24 ³ / ₈
I depth of cavity (to edge of door)	26 ³ / ₄



Rangehood

Model	RH361SS
Product Dimensions (inches)	
A height of canopy	4 3/4
B width of canopy	36
C depth of canopy	22 1/4
D height of flue	min 24 3/16 – max 35 1/4



Rangehood
RH361SS

Our heritage

With a Fisher & Paykel appliance you gain the benefit of 70 years of appliance innovation. Established in 1934 with an enterprising spirit, Fisher & Paykel has developed an innovative culture that challenges conventional appliance design.

Fisher & Paykel is now seen as the innovator in the appliance industry. The electronic control of smart motors, along with other technologies in design and manufacturing, have resulted in over 400 international patents recognizing Fisher & Paykel appliances as unique.

Current innovations include *Active Smart™* refrigerators, *DishDrawer®* dishwashers, *AeroTech®* ovens, *SmartLoad®* dryers, *Intuitive Eco™* and *EcoSmart™* washers.

Fisher & Paykel has state of the art manufacturing facilities in New Zealand and Australia. The design of all the appliances manufactured is done on site with the company's own staff, ensuring that innovation remains at the core of the business. Fisher & Paykel also constructs manufacturing plants and machinery for other appliance companies throughout the world.

Today the Fisher & Paykel brand is a household name in Australia and New Zealand, and a premium brand delivering innovative design and technology to over 40 countries worldwide. In North America Fisher & Paykel is sold through a network of over 3,500 storefronts and supported by over 1,500 service organizations since it established direct North American distribution in 1996.



Lowe's Store Information



www.lowes.com

	Location _____	Product Desired _____
	Phone Number _____	Date _____
	Sales Associate _____	Notes _____

Fisher & Paykel Package Price

See your Lowe's Sales Associate for details and pricing. See appliance catalog for measurements and cutout dimensions of freestanding and built-in appliances.
Contact Fisher & Paykel at: 1-888-9-367-872, www.usa.fisherpaykel.com or Fisher & Paykel Appliances, Inc. 27 Hubble, Irvine, CA 92618

FB200430 October 2004

Copyright Reserved© Fisher & Paykel 2004

The product dimensions and specifications in this brochure apply to the specific products and models described at the date of issue. Under our policy of continuous product improvement, these dimensions and specifications may change at any time. You should therefore check with your dealer or Fisher & Paykel's Customer Care Center to ensure this brochure correctly describes the products currently available.

Approved by Lowe's



AP00013319