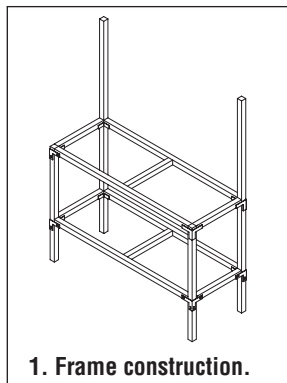
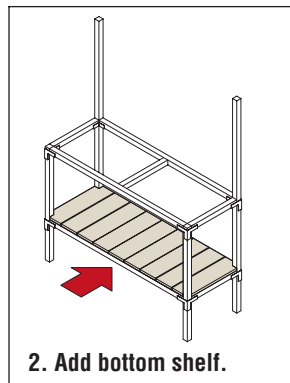


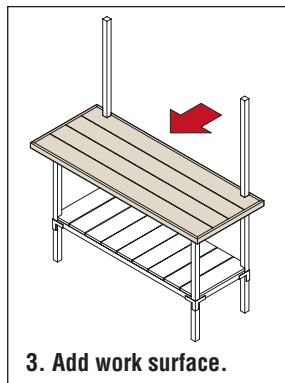
Page # 1 Potting Bench



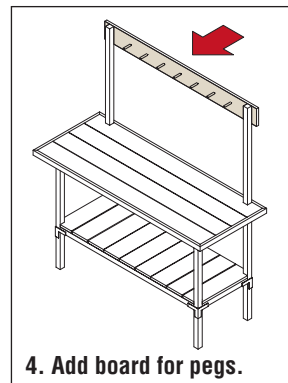
1. Frame construction.



2. Add bottom shelf.



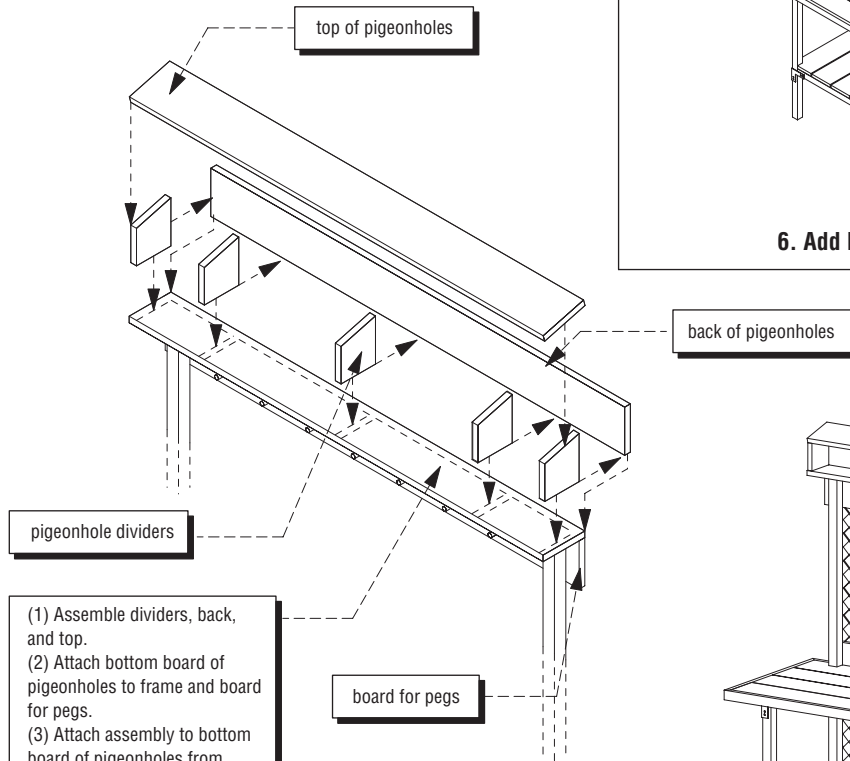
3. Add work surface.



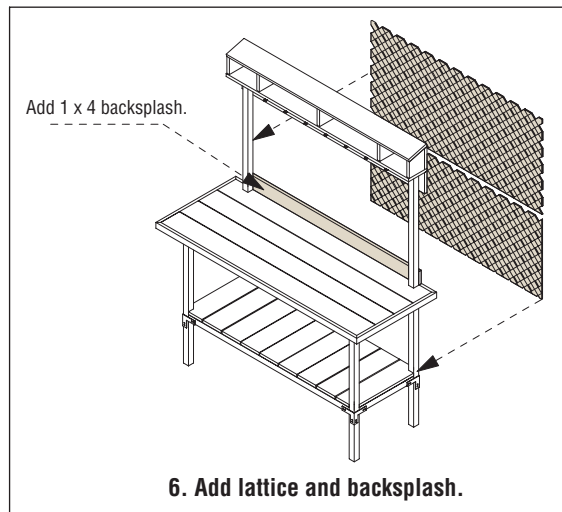
4. Add board for pegs.

5. Construct storage pigeonholes.

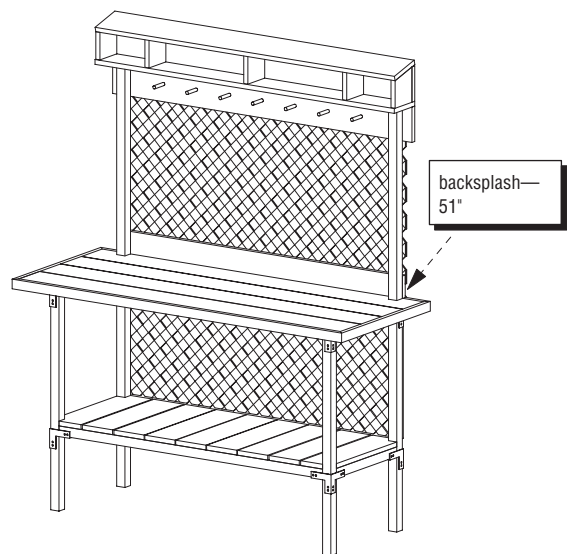
Predrill pilot holes, and attach top and bottom shelves to supports using 2" screws.



- (1) Assemble dividers, back, and top.
- (2) Attach bottom board of pigeonholes to frame and board for pegs.
- (3) Attach assembly to bottom board of pigeonholes from beneath the board, using 2" screws and glue.



6. Add lattice and backslash.



7. Completed project

Page # 2 Potting Bench

