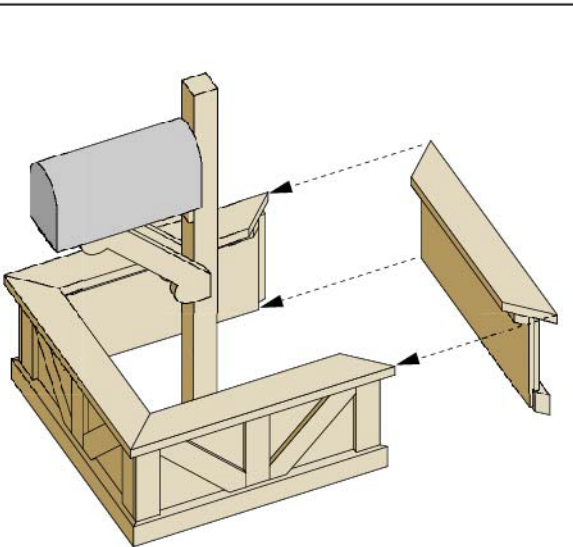
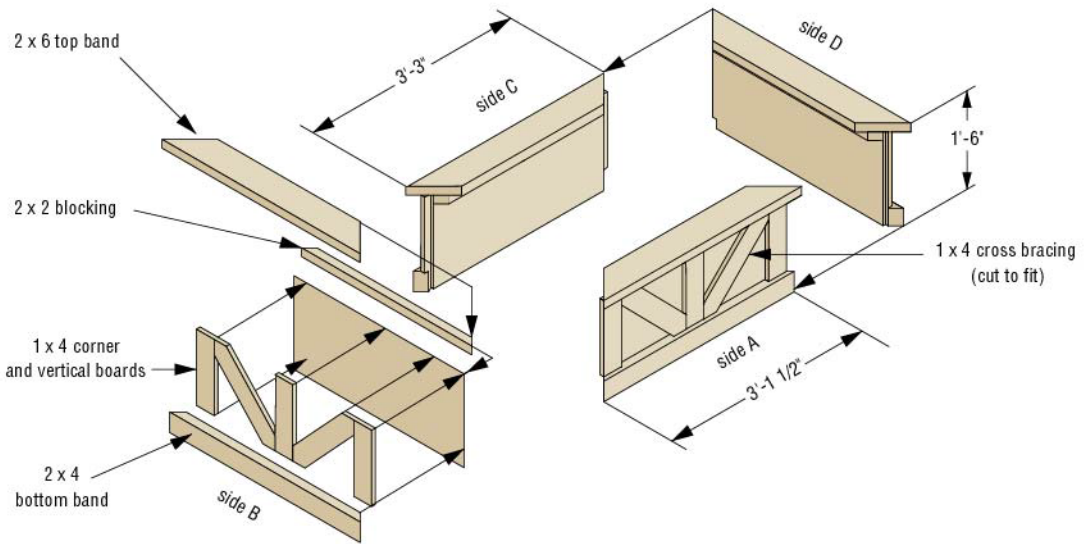
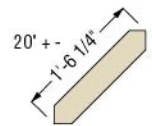
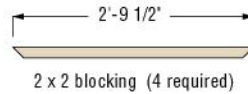
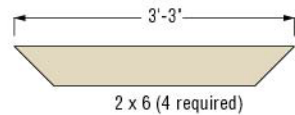


# PLANTER ASSEMBLY

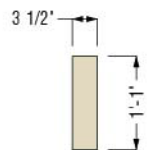
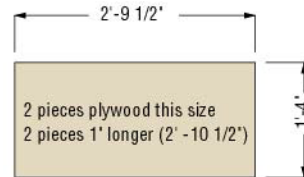


After assembly, line the planter with WeedBlock filter fabric, fill with soil, install plant material, and add mulch.

## Cut List



1 x 4 x 20' +/- diagonal brace (8 required)



1 x 4 x 13" corner boards  
8 required  
4 vertical boards required

